

2" BARRIER FREE SHOWER INSTALLATION



Rev. #: 7/11/08

Key Points to remember during installation

1. The subfloor must be 100% flat, level and free from obstructions of any kind.
2. If installing the drain fitting prior to installation of the shower, precautions must be taken to keep the shower from resting on the drain fitting. Failure to do this may cause warping or cracking of the shower floor.
3. When plumbing, there should be no fittings installed on the drain pipe within 2 ½" of the top of the subfloor. This will interfere with the drain fitting and cause the floor of the unit not to rest on the subfloor as designed.

WARNING: FAILURE TO FOLLOW THESE INSTALLATION INSTRUCTIONS COULD VOID THIS PRODUCT'S WARRANTY. It is very important that these installation instructions are followed exactly during the installation process in order to create the ideal barrier free access area. These units are thoroughly tested in the manufacturing plant to ensure their ability to drain water. Failure to follow these handling and installation instructions may cause improper drainage, thus voiding the product's warranty.

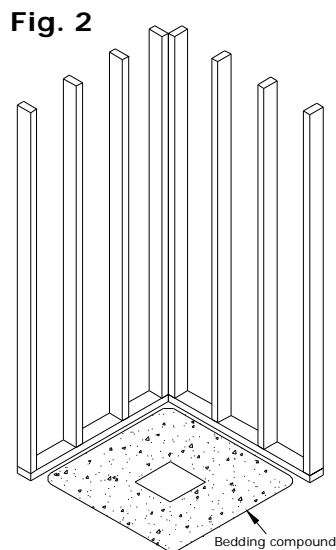
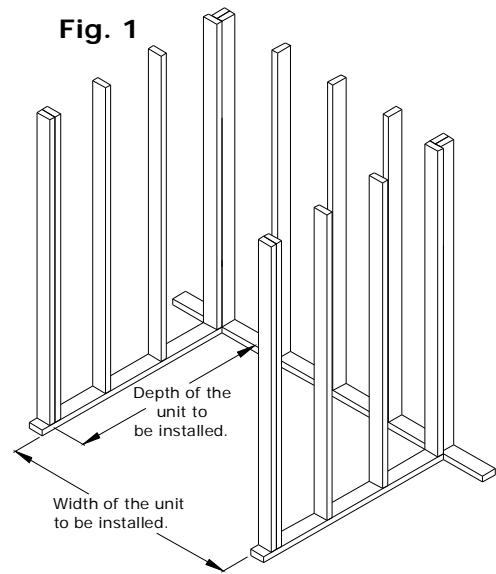
1. Please consult all local and state building codes, and read the entire installation instructions prior to beginning the installation of this unit to ensure that the installation is performed correctly. Improper installation will void the products warranty. If the unit being installed is a multi-piece unit, re-install the back sections of the unit to the unit's base prior to the installation. Before installation, inspect the seams between the shower sections to make sure that they are all lined up correctly. Make any corrections necessary prior to installing the shower. **Apply a bead of silicone caulking (not latex caulking) on each seam and bolt location of a multi-piece unit.**
2. Construct a framed pocket that is square and plumb in accordance with rough-in dimensions. (*See Figure 1 Below*) *** To maintain an ADAAG or ANSI A117.1 compliant barrier-free condition, the following units must be installed in a 1½" recess. These units are: MP3837BF, MP3940BFCD, and MP3940BFKD. All other Clarion Bathware 2" barrier-free units must be installed in a 2" recess to maintain a barrier-free condition. *** If you do not need to meet ADAAG or ANSI A117.1 accessibility requirements, you do not need to recess these units.
3. Remove all factory shipping braces. On the bottom of the back wall there is a piece of OSB board for shipping purposes. This board needs to be cut down so that it will not interfere with leveling the shower stall properly. To do this, set a circular saw to cut a 7/16" deep cut. Cut the OSB that extends past the bottom of the unit. Use caution when cutting, there are wood blocks that are secured with metal staples on the inside edge of the board. ***This board cannot be removed until the unit is ready to be installed. Removal of the board before installation may damage the floor of the shower and void it's warranty.***

4. Place the unit in the framed pocket. Plumb and level the unit. First, plumb the unit by placing a level on the front posts and then level across the dam of the unit. Use a 2' level on the floor of the shower to check that proper slope can be achieved. Also inspect that there are no dips, humps, or other restrictions in the floor which will prevent proper water drainage. If there are any obstructions, you will need to chisel or cut the concrete out to create a surface that allows for proper slope to the drain.

5. Remove the unit from the framing. Mark and layout holes for the plumbing fixtures by marking the centers of the holes. Be sure to drill these holes from the finish side of the unit. Drill smaller holes with a sharp spade bit or hole saw. For larger holes use a saber saw with a plastic or metal cutting blade.

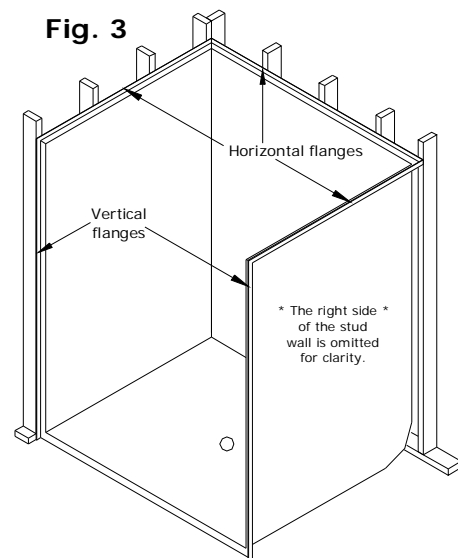
6. Install all plumbing fixtures for the unit, making sure not to over tighten them. Check the drain and make sure that it is sealed properly and not leaking. (remember to take precautions to keep the shower from resting on the drain fitting) Prepare a bedding material of cement or casting plaster to help support the base of the unit after installation. (See **Figure 2 below**). ***** All Clarion Bathware 2" barrier-free showers must be set in a bedding material. FOAM SHOULD NEVER BE USED AS A BEDDING MATERIAL FOR 2" BARRIER-FREE SHOWERS *****

7. Before the bedding material cures, place the unit in the framing pocket and make sure that it is still plumb and level. As before, plumb the unit by placing a level on the front posts and then level across the dam of the unit. Check that the floor of the unit is sloped to the drain; make sure that there are no bumps or other obstructions in the shower floor to restrict water drainage. When the unit is plumb and level, and the slope to the drain is assured, secure the unit to the framing with galvanized nails or screws. Secure the vertical flanges every 6" or as necessary to keep the flanges flush to the studding. Secure the horizontal flanges wherever they come into contact with the studding. (See **Figure 3 below**)



Vertical Flanges must be secured every 6" with galvanized nails or screws.

Horizontal Flanges must be secured anywhere that they come into contact with studding.



8. A floor-leveling agent can be used to smooth the transition between the shower unit and the floor. A smooth transition between the shower unit and the floor is a requirement for ADA compliance. We recommend Feather Finish for all vinyl applications or grout for tile installations. You can finish off your shower with a variety of materials (tile, drywall, caulking, drywall mud, plaster, wood or plastic trim).
9. Clean your shower with a liquid detergent and warm water. Do not use any abrasive cleaners such as scouring powder, or liquid abrasive cleaners.

CEMENT SLURRY, THIN MORTAR MIX, PLASTER OF PARIS, OR A COMPARABLE FLOOR FILLING COMPOUND THAT IS NOT WATER SOLUBLE ARE PROPER BEDDING COMPOUNDS TO BE USED UNDER BARRIER FREE SHOWERS. WATER SOLUBLE MATERIALS, FOAM AND OTHER EXPANDING MATERIALS ARE NEVER TO BE USED AS A BEDDING COMPOUND.

IF THERE ARE ANY QUESTIONS CONCERNING INSTALLATION OF THIS PRODUCT, WE URGE THAT THE INSTALLER CONTACT CLARION BATHWARE'S CUSTOMER SERVICE DEPARTMENT AT (800) 576-9228 EXT. #818.

JOB SITE INSTALLATION OF OWNER SUPPLIED ACCESSORIES

All Clarion Bathware units purchased with supplied grab bars are custom reinforced at the factory to accommodate the mounting of said bars.

Any grab bars installed on a Clarion Bathware unit at the job site must have proper reinforcement (wood support and backing plates) at all mounting areas and should comply with ANSI A117.1, Uniform Federal Accessibility Standards (UFAS) and ASTM F446 specifications for grab bars in the bathing area.

Job-site installation of third party supplied grab bars is entirely at the risk and full responsibility of the owner. Any damage to Clarion Bathware units or the property during or after grab bar installation, or any injuries due to improper installation remain the sole responsibility of said owner and cannot be attributed to Clarion Bathware, Inc.

*****WE SUGGEST THAT THE CUSTOMER AVOIDS LEAVING A BATH MAT IN THE UNIT. AS IT COULD CAUSE WATER STAINS OR BLISTERING TO THE FINISH SURFACE OF THE UNIT.**

CLARION BATHWARE PRODUCTS ARE CERTIFIED TO MEET NAHB STANDARDS, HUD/FHA, BOCA, HUD UM-73A, ANSI Z124.1, AND ANSI Z124.2. FOR DETAILS, REQUEST NAHB RESEARCH CENTER CONFIRMATION.



44 Amsler Avenue Shippenville, PA 16254
(814) 226-5374 (800) 576-9228
Customer Service: Ext. #818
Fax: (814) 226-0730
www.clarionbathware.com