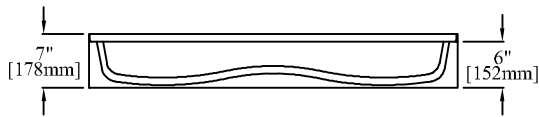


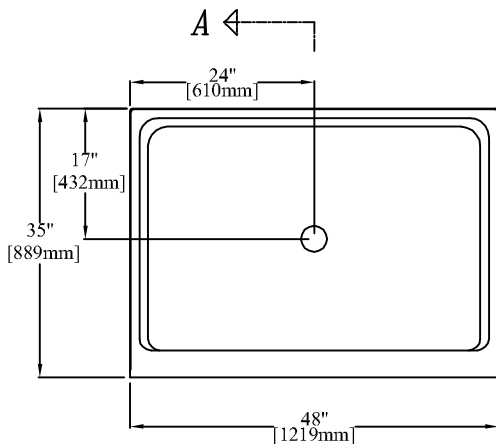
Clarion Bathware



ELEVATION



SECTION "A-A"



PLAN

48" x 35" [1219mm x 889mm] Shower Pan

CENTER DRAIN

PRODUCT SPECIFICATIONS:

- * THIS IS A DRAWING OF A POTENTIAL NEW PRODUCT. IF PRODUCED, DIMENSIONS AND/OR FEATURES MAY CHANGE.
- * Product complies with NAHB, HUD UM-73A, and ANSI-Z124.2.
- * Wood reinforced & slip resistant floor.
- * Integral 1" [25mm] nailing flange.
- * All dimensions +/- 1/4" [6.4mm]
- * Clarion Bathware reserves the right to change design and/or dimensions.
- * Dimensions are the same for RE, RS, MP, CU, and all other versions of this model.

Tentative Model SP4835

48" x 35" [1219mm x 889mm] Shower Pan

Clarion
BATHWARE
44 Amsler Ave.
Shippenville, PA 16254

Phone: (814) 226-5374
Toll Free: (800) 576-9228
Fax: (814) 226-0730
www.clarionbathware.com

Signatures For Approval:

Customer: _____
Arch./Engr: _____
Contractor: _____
Cla. Engr: _____

Date:

Dwg. Name:
SP4835-CUT

Dwg. By: DJC
DATE: 10/30/07