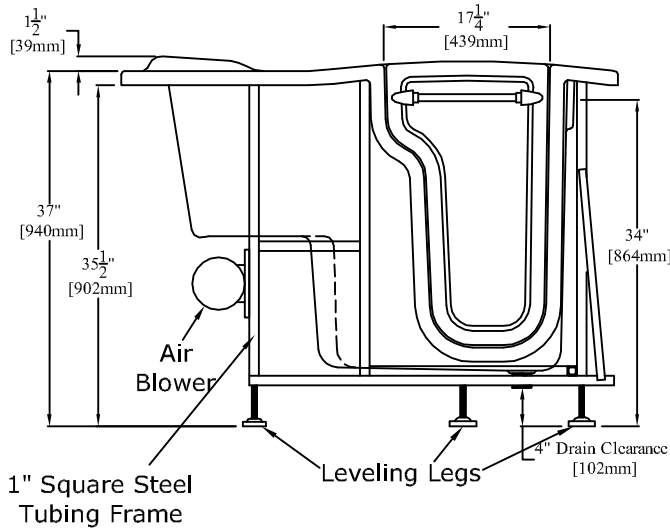
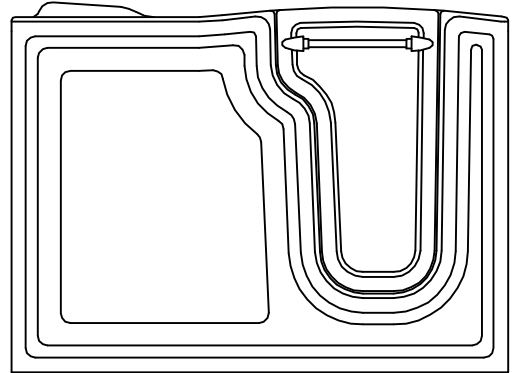


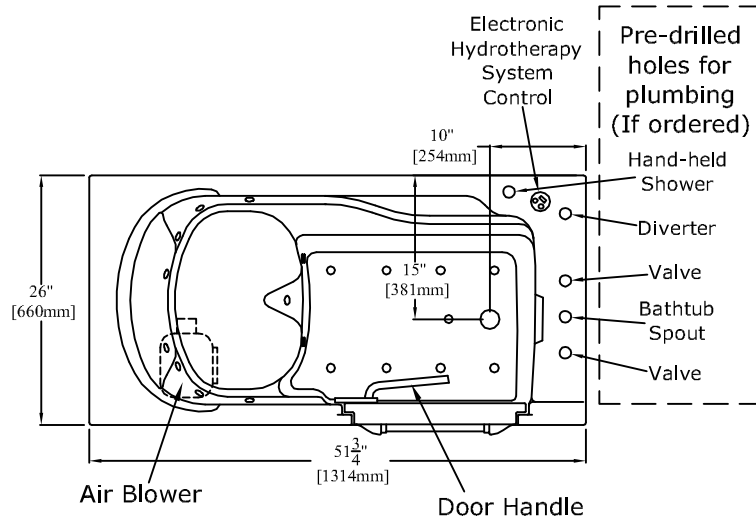
Clarion Bathware



ELEVATION



ELEVATION (WITH PANEL)



PLAN

51 3/4" [1314mm] x 26" [660mm] Walk-in Bathtub
With a Door & 24 Jet Hydrotherapy Air System

Right Hand Version (WT5226R) Shown

PRODUCT SPECIFICATIONS:

- * Product complies with NAHB, HUD UM-73A, and ANSI-Z124.1.
- * Walk-in style bathtub with a door.
- * Available with a left or right hand drain.
- * 24 jet hydrotherapy air system with electronic control.
- * Factory installed overflow and drain.
- * Available with optional hand-held shower, diverter, bathtub spout and water valves.
- * Supplied with 1 front and 1 end panel.
- * Wood reinforced & slip resistant floor.
- * Bathwell Dimensions (At top):
W-41 1/4" [1048mm]
D-21 1/2" [546mm]
H-31 1/4" [794mm]
- * Bathwell Dimensions (Bottom):
W-21 1/2" [546mm]
D-15 1/2" [394mm]
- * Bathwell Capacity (At Overflow):
65 Gallons [246L]
- * All dimensions +/- 1/4" [6.4mm]
- * Clarion Bathware reserves the right to change design and/or dimensions.
- * Dimensions are the same for RE, RS, MP, CU and all other versions of this model.

Model WT5226L or WT5226R

51 3/4" [1314mm] x 26" [660mm] Walk-in Bathtub with a Door and 24 Jet Hydrotherapy Air System

Clarion
BATHWARE
44 Amsler Ave.
Shippenville, PA 16254

Phone: (814) 226-5374
Toll Free: (800) 576-9228
Fax: (814) 226-0730
www.clarionbathware.com

Signatures For Approval:

Customer: _____
Arch./Engr: _____
Contractor: _____
Cla. Engr: _____

Date:

Dwg. Name:
WT5226LorWT5226R
-CUT

Dwg. By: DJC
DATE: 12/11/07