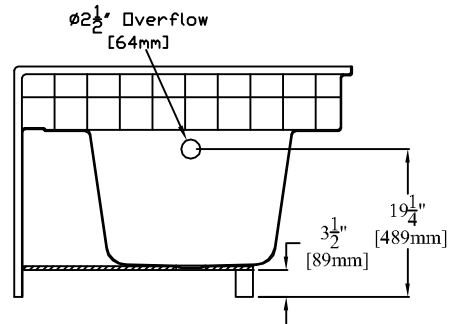
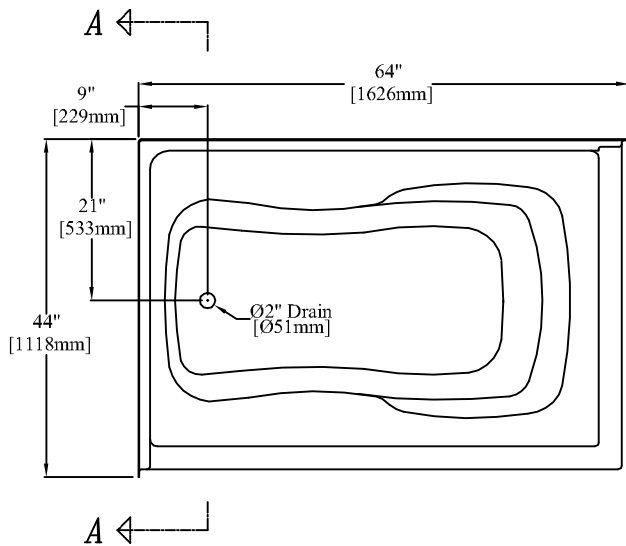


ELEVATION



SECTION "A-A"



PLAN

64" [1626mm] Rectangular Corner Bathtub

Left Hand Version (8864LX) Shown

PRODUCT SPECIFICATIONS:

- * Product complies with NAHB, HUD UM-73A, and ANSI-Z124.1.
- * Wood reinforced & slip resistant floor.
- * Sufficient drain clearance to accommodate above the floor plumbing.
- * Integral 1" [25mm] nailing flange.
- * Factory drilled 2 1/2" [64mm] overflow.
- * Decorative simulated tiling on the backsplash and two-sided apron.
- * Bathwell Dimensions (At Top): W-52 3/4" [1340mm]
D-25 3/4" [654mm]
H-17 1/4" [438mm]
- * Bathwell Dimensions (At Bottom): W-43" [1092mm]
D-22" [559mm]
- * Bathwell Capacity (At Overflow): 56 Gallons [212L]
- * Water Level (At Overflow): 13 3/4" [349mm]
- * This unit is available without an overflow (Model 8864LXM or 8864RXM).
- * This unit is available with a removable access panel. (Model 8864LXA or 8864RXA)
- * This unit is only available as a whirlpool if the version with an access panel is ordered.
- * All dimensions +/- 1/4" [6.4mm]
- * Clarion Bathware reserves the right to change design and/or dimensions.
- * Dimensions are the same for RE, MP, CU, and all other versions of this model.

Model 8864LX or 8864RX

64" [1626mm] Rectangular Corner Bathtub with Left or Right Hand Drain

Clarion
BATHWARE
44 Amsler Ave.
Shippenville, PA 16254

Phone: (814) 226-5374
Toll Free: (800) 576-9228
Fax: (814) 226-0730
www.clarionbathware.com

Signatures For Approval:

Customer: _____
Arch./Engr: _____
Contractor: _____
Cla. Engr: _____

Date:

Dwg. Name:
8864LXor8864RX
-CUT

Dwg. By: DJC
DATE: 4/1/10