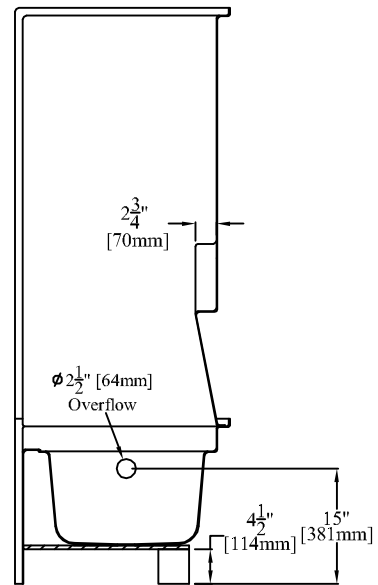
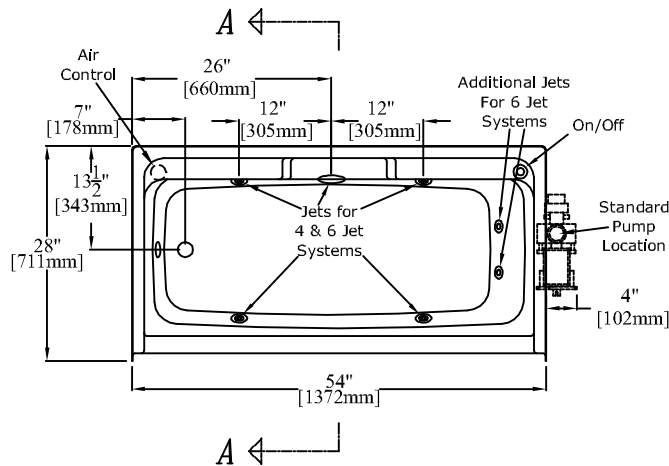


ELEVATION



SECTION "A-A"

*** For clarity, ***
the whirlpool piping
has been omitted
from this drawing



PLAN

54" [1372mm] 2-Piece Tub/Shower
With 4 or 6 Jet Whirlpool Package

Left Hand Version (RE8403LX:4 or RE8403LX:6) Shown

PRODUCT SPECIFICATIONS:

- * Product complies with NAHB, HUD UM-73A, and ANSI-Z124.1.
- * When installing this whirlpool, an access area should be provided near the location of the whirlpool pump for future access. An access area is required by many local, state & federal building codes.
- * Recommended access area dimensions: W-20" [508mm] H-15" [381mm]
- * Wood reinforced & slip resistant floor.
- * Sufficient drain clearance to accommodate above the floor plumbing.
- * Integral 1" [25mm] nailing flange.
- * Factory drilled 2 1/2" [64mm] overflow.
- * Door Opening: W-50 3/4" [1289mm] H-56 1/4" [1429mm]
- * Bathwell Dimensions (At Top): W-48 1/2" [1232mm] D-20 1/4" [514mm] H-12" [305mm]
- * Bathwell Dimensions (At Bottom): W-42 1/2" [1080mm] D-16" [406mm]
- * Bathwell Capacity (At Overflow): 33 Gallons [125L]
- * Water Level (At Overflow): 8 1/2" [216mm]
- * All dimensions +/- 1/4" [6.4mm]
- * This unit is available without an overflow. (RE8403LXM:4, RE8403LXM:6, RE8403RXM:4 or RE8403RXM:6)
- * If a 4 jet system is ordered, the pump will stick out beyond the rough-in dimensions by 1 1/2". If a 6 jet system is ordered, the pump will stick out beyond the rough-in dimensions by 4".
- * Clarion Bathware reserves the right to change design and/or dimensions.
- * Dimensions are the same for RE, MP, CU and all other versions of this model.

Model RE8403LX:4, RE8403LX:6, RE8403RX:4 or RE8403RX:6

54" [1372mm] 2-Piece Tub/Shower with Left or Right Hand Drain & 4 or 6 Jet Whirlpool Package

Clarion
BATHWARE
44 Amsler Ave.
Shippenville, PA 16254

Phone: (814) 226-5374
Toll Free: (800) 576-9228
Fax: (814) 226-0730
www.clarionbathware.com

Signatures For Approval:

Customer: _____
Arch./Engr: _____
Contractor: _____
Cla. Engr: _____

Date:

Dwg. Name:
RE8403LXor
RE8403RX
-4&6JETCUT

Dwg. By: DJC
DATE: 4/1/10