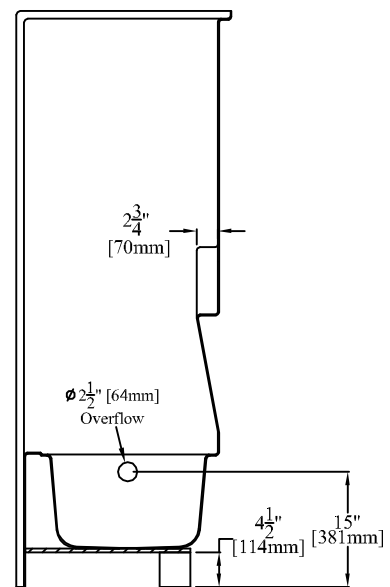
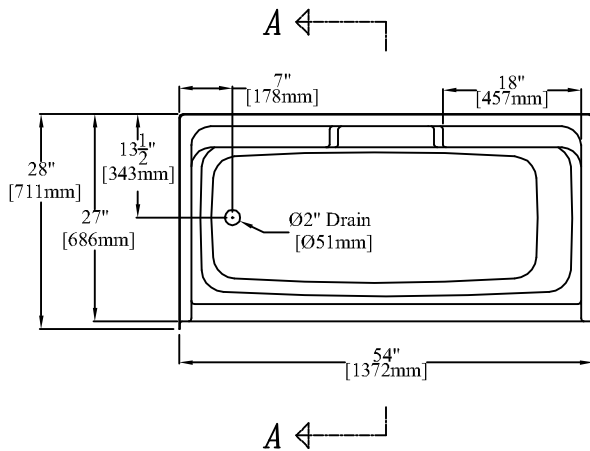


ELEVATION



SECTION "A-A"



PLAN

**54" [1372mm] 1-Piece Tub/Shower
with Left or Right Hand Drain**

Left Hand Version (7403LX) Shown

PRODUCT SPECIFICATIONS:

- * Product complies with NAHB, HUD UM-73A, and ANSI-Z124.1.
- * Wood reinforced & slip resistant floor.
- * Sufficient drain clearance to accommodate above the floor plumbing.
- * Integral 1" [25mm] nailing flange.
- * Factory drilled 2 1/2" [64mm] overflow.
- * Molded shelving located on the back wall of the unit.
- * Door Opening: W-50 3/4" [1289mm]
H-56 1/4" [1429mm]
- * Bathwell Dimensions (At Top): W-48 1/2" [1232mm]
D-20 1/4" [514mm]
H-12" [305mm]
- * Bathwell Dimensions (At Bottom): W-42 1/2" [1080mm]
D-16" [406mm]
- * Bathwell Capacity (At Overflow): 34 Gallons [129L]
- * Water Level (At Overflow): 8 1/4" [210mm]
- * This unit is available without an overflow (Model 7403LXM or 7403RXM).
- * If this unit is ordered with a whirlpool system installed, the pump will stick out up to 5" [127mm] from the rough in dimensions shown.
- * All dimensions +/- 1/4" [6.4mm]
- * Clarion Bathware reserves the right to change design and/or dimensions.
- * Dimensions are the same for RE, MP, CU and all other versions of this model.

Model 7403LX or 7403RX

54" [1372mm] 1-Piece Tub/Shower with Left or Right Hand Drain

Clarion
BATHWARE
44 Amsler Ave.
Shippenville, PA 16254

Phone: (814) 226-5374
Toll Free: (800) 576-9228
Fax: (814) 226-0730
www.clarionbathware.com

Signatures For Approval:

Customer: _____
Arch./Engr: _____
Contractor: _____
Cla. Engr: _____

Date:

Dwg. Name:
7403LXor
7403RX-CUT
Dwg. By: DJC
DATE: 4/1/10