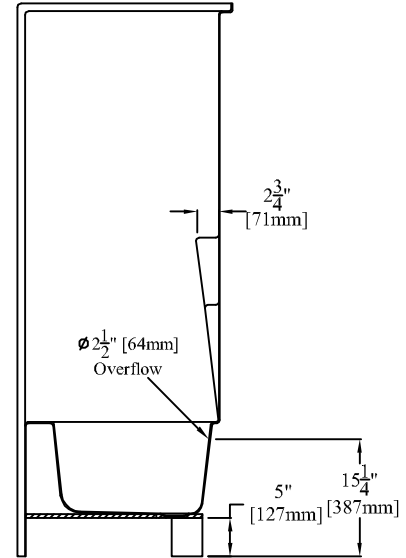
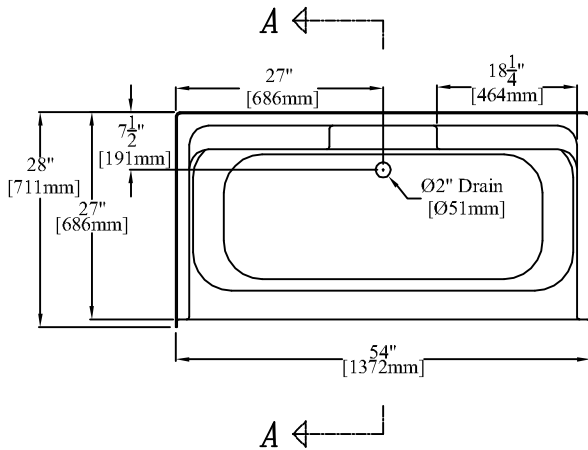


ELEVATION



SECTION "A-A"



PLAN

54" [1372mm] 1-Piece Tub/Shower

CENTER DRAIN

PRODUCT SPECIFICATIONS:

- * Product complies with NAHB, HUD UM-73A, and ANSI-Z124.1.
- * Wood reinforced & slip resistant floor.
- * Sufficient drain clearance to accommodate above the floor plumbing.
- * Integral 1" [25mm] nailing flange.
- * Factory drilled 2 1/2" [64mm] overflow.
- * Molded shelving located on the back wall of the unit.
- * Door Opening: W-50 3/8" [1280mm]
H-53" [1346mm]
- * Bathwell Dimensions (At Top): W-49 1/2" [1257mm]
D-21" [533mm]
H-11" [279mm]
- * Bathwell Dimensions (At Bottom): W-41 1/2" [1054mm]
D-16 1/4" [413mm]
- * Bathwell Capacity (At Overflow): 35 Gallons [132L]
- * Water Level (At Overflow): 8 1/4" [210mm]
- * This unit is available without an overflow (Model 7400XM).
- * All dimensions +/- 1/4" [6.4mm]
- * Clarion Bathware reserves the right to change design and/or dimensions.
- * Dimensions are the same for RE, MP, CU and all other versions of this model.

Model 7400X

54" [1372mm] 1-Piece Tub/Shower

Clarion
BATHWARE
44 Amsler Ave.
Shipperville, PA 16254

Phone: (814) 226-5374
Toll Free: (800) 576-9228
Fax: (814) 226-0730
www.clarionbathware.com

Signatures For Approval:

Customer: _____
Arch./Engr: _____
Contractor: _____
Cla. Engr: _____

Date:

Dwg. Name:
7400X-CUT

Dwg. By: DJC
DATE: 4/1/10