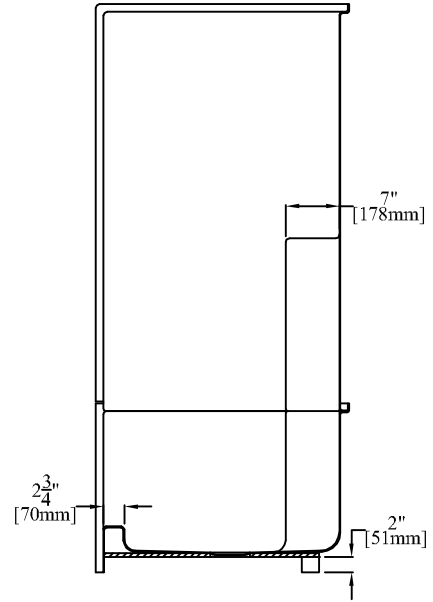
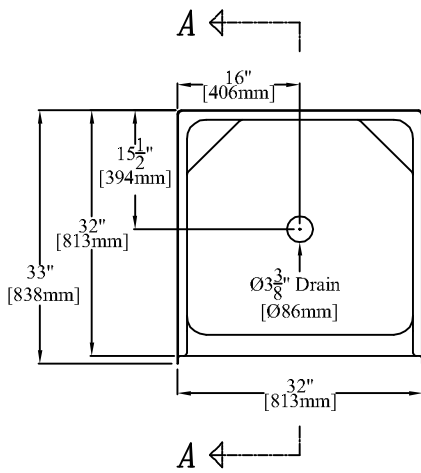


ELEVATION



SECTION "A-A"



PLAN

*32" [813mm] 2-Piece Shower Stall
With Molded Soap Ledges*

PRODUCT SPECIFICATIONS:

- * Product complies with NAHB, HUD UM-73A, and ANSI-Z124.2.
- * Unit does not meet the minimum floor space requirements for international plumbing code.
- * Wood reinforced & slip resistant floor.
- * Integral 1" [25mm] nailing flange.
- * Molded shelving.
- * Door Opening: W-29 3/8" [746mm]
H-67" [1702mm]
- * All dimensions +/- 1/4" [6.4mm]
- * Accepts Clarion model 932 cap (adds 9" [229mm] to the overall height of the unit.)
- * Clarion Bathware reserves the right to change design and/or dimensions.
- * Dimensions are the same for RE, RS, MP, CU and all other versions of this model.

Model 6232

32" [813mm] 2-Piece Shower Stall with Molded Soap Ledges

Clarion
BATHWARE
44 Amsler Ave.
Shipperville, PA 16254

Phone: (814) 226-5374
Toll Free: (800) 576-9228
Fax: (814) 226-0730
www.clarionbathware.com

Signatures For Approval:

Customer: _____
Arch./Engr: _____
Contractor: _____
Cla. Engr: _____

Date:

Dwg. Name:
6232-CUT

Dwg. By: DJC
DATE: 2/3/10