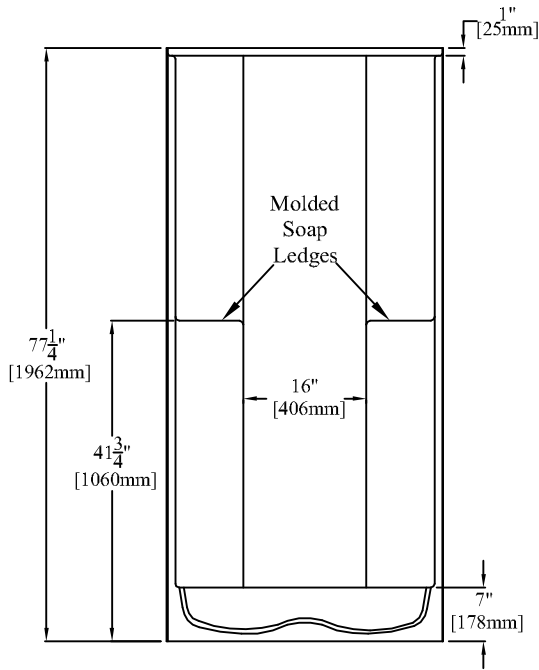
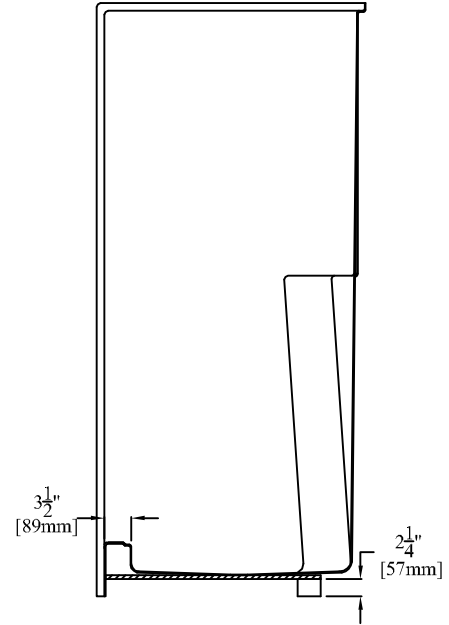


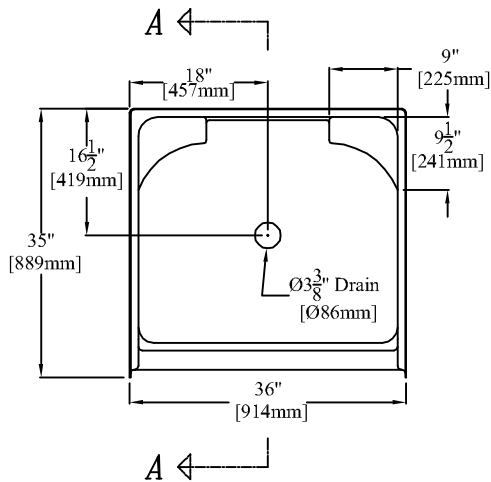
Clarion Bathware



ELEVATION



SECTION "A-A"



PLAN

*36" [914mm] 1-Piece Shower With
7" [178mm] Threshold & Molded Soap Ledges*

PRODUCT SPECIFICATIONS:

- * Product complies with NAHB, HUD UM-73A, and ANSI-Z124.2.
- * Reinforced & slip resistant floor.
- * Integral 1" [25mm] nailing flange.
- * Molded soap ledges.
- * Door Opening: W-33 3/8" [848mm]
H-69" [1753mm]
- * Shower Floor: W-33 3/8" [848mm]
D-29 1/4" [743mm]
- * Accepts Clarion overall 936 cap (Adds 9" [229mm] to the overall height of the unit)
- * All dimensions +/- 1/4" [6.4mm]
- * Clarion Bathware reserves the right to change design and/or dimensions.
- * Dimensions are the same for RE, RS, MP, CU and all other versions of this model.

Model 5636

36" [914mm] 1-Piece Shower with 7" [178mm] Threshold & Molded Soap Ledges

Clarion
BATHWARE
44 Amsler Ave.
Shippenville, PA 16254

Phone: (814) 226-5374
Toll Free: (800) 576-9228
Fax: (814) 226-0730
www.clarionbathware.com

Signatures For Approval:

Customer: _____
Arch./Engr: _____
Contractor: _____
Cla. Engr: _____

Date:

Dwg. Name:
5636-CUT

Dwg. By: DJC
DATE: 10/24/08