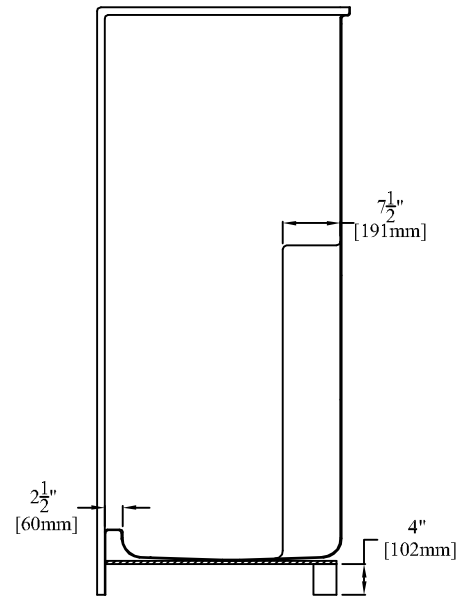
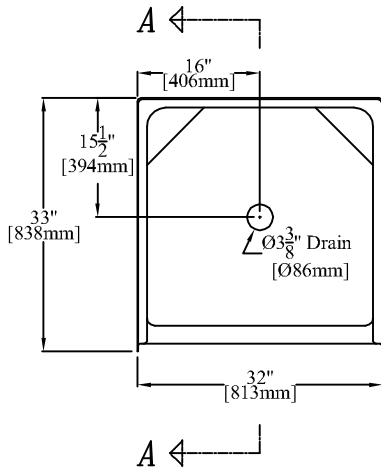


**ELEVATION**



**SECTION "A-A"**



**PLAN**

32" [813mm] 1-Piece Shower With  
8 1/2" [216mm] Threshold & Molded Soap Ledges

**PRODUCT SPECIFICATIONS:**

- \* Product complies with NAHB, HUD UM-73A, and ANSI-Z124.2.
- \* Unit does not meet the minimum floor space requirements for international plumbing code.
- \* Reinforced & slip resistant floor.
- \* Sufficient drain clearance to accommodate above the floor plumbing.
- \* Integral 1" [25mm] nailing flange.
- \* Molded soap ledges.
- \* Door Opening: W-29 1/2" [749mm]  
H-66 3/4" [1695mm]
- \* All dimensions +/- 1/4" [6.4mm]
- \* Clarion Bathware reserves the right to change design and/or dimensions.
- \* Dimensions are the same for RE, MP, CU and all other versions of this model.

**Model 5232X**

**32" [813mm] 1-Piece Shower with 8 1/2" [216mm] Threshold & Molded Soap Ledges**

**Clarion**  
BATHWARE  
44 Amsler Ave.  
Shippenville, PA 16254

Phone: (814) 226-5374  
Toll Free: (800) 576-9228  
Fax: (814) 226-0730  
www.clarionbathware.com

Signatures For Approval:

Customer: \_\_\_\_\_  
Arch./Engr: \_\_\_\_\_  
Contractor: \_\_\_\_\_  
Cla. Engr: \_\_\_\_\_

Date:

\_\_\_\_\_  
\_\_\_\_\_  
\_\_\_\_\_

Dwg. Name:  
5232X-CUT

Dwg. By: DJC  
DATE: 4/1/10