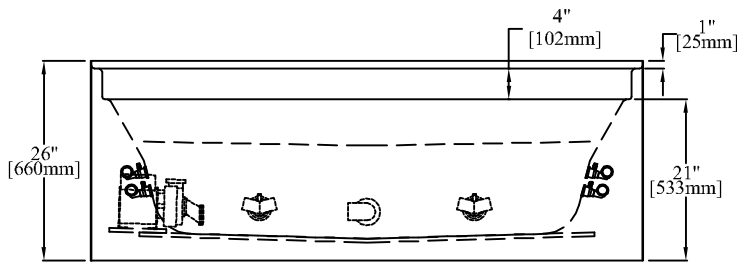
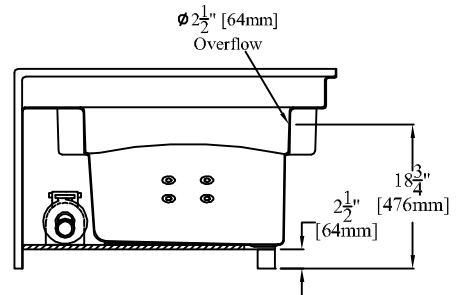


Clarion Bathware

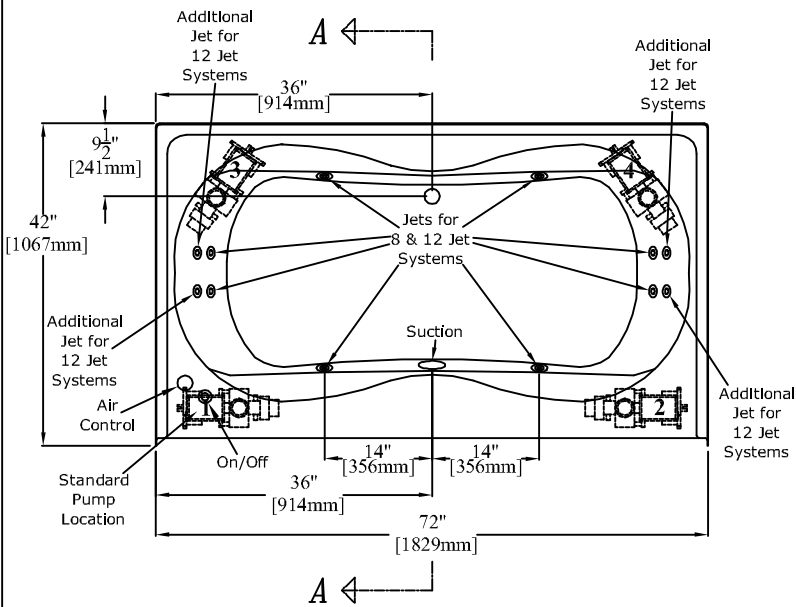


ELEVATION



SECTION "A-A"

*** For clarity, ***
the whirlpool piping
has been omitted
from this drawing



PLAN

72" [1829mm] "Garden Style" Bathtub
With 8 or 12 Jet Whirlpool Package

REAR CENTER DRAIN

VICTORIA

PRODUCT SPECIFICATIONS:

- * Product complies with NAHB, HUD UM-73A, and ANSI-Z124.1.
- * When installing this whirlpool, an access area should be provided near the location of the whirlpool pump for future access. An access area is required by many local, state & federal building codes.
- * Recommended access area dimensions: W-20" [508mm] H-15" [381mm]
- * Wood reinforced & slip resistant floor.
- * Integral 1" [25mm] nailing flange.
- * Factory drilled 2 1/2" [64mm] overflow.
- * Spacious bathwell with molded arm ledges.
- * Bathwell Dimensions (At Top): W-67" [1702mm] D-26 1/4" [667mm] H-17 3/4" [451mm]
- * Bathwell Dimensions (At Bottom): W-53" [1346mm] D-22" [559mm]
- * Bathwell Capacity (At Overflow): 80 Gallons [303L]
- * Water Level (At Overflow): 14 1/2" [368mm]
- * This unit is available without an overflow (Model RE4272M:8 or RE4272M:C).
- * This unit is available with a removable access panel (Model RE4272A:8 or RE4272A:C).
- * Pump positions labeled 2, 3 & 4 are alternate pump locations that are available.
- * All dimensions +/- 1/4" [6.4mm]
- * Clarion Bathware reserves the right to change design and/or dimensions.
- * Dimensions are the same for RE, RS, MP, CU and all other versions of this model.

Model RE4272:8 or RE4272:C

72" [1829mm] "Garden Style" Bathtub with 8 or 12 Jet Whirlpool Package

Clarion
BATHWARE
44 Amsler Ave.
Shippenville, PA 16254

Phone: (814) 226-5374
Toll Free: (800) 576-9228
Fax: (814) 226-0730
www.clarionbathware.com

Signatures For Approval:

Customer: _____
Arch./Engr: _____
Contractor: _____
Cla. Engr: _____

Date: _____

Dwg. Name:
RE4272
-8&12JETCUT
Dwg. By: DJC
DATE: 6/9/08