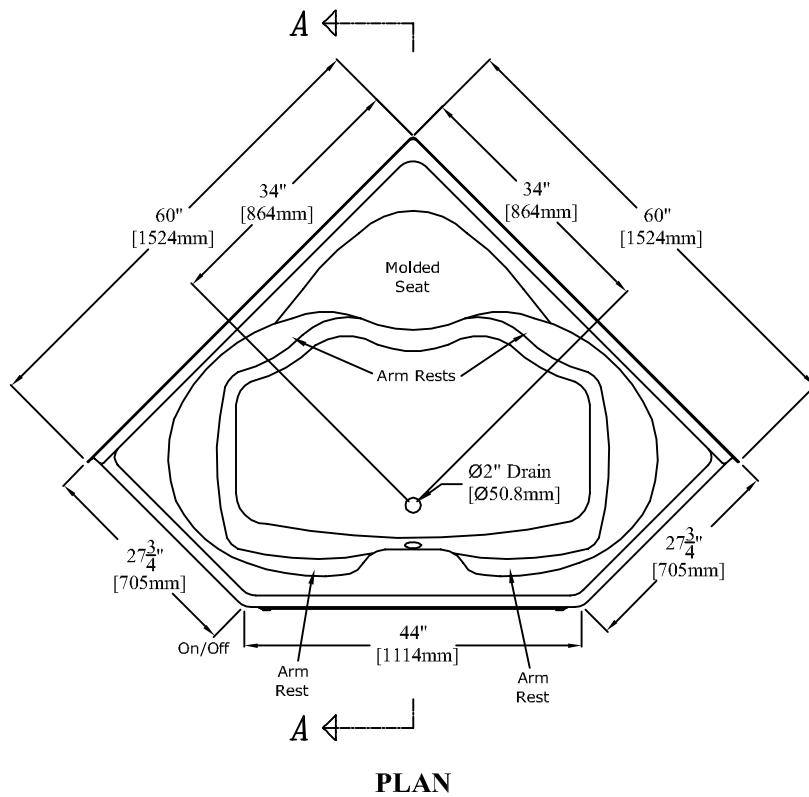
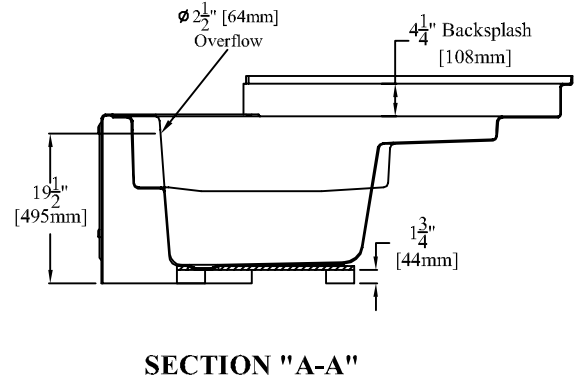
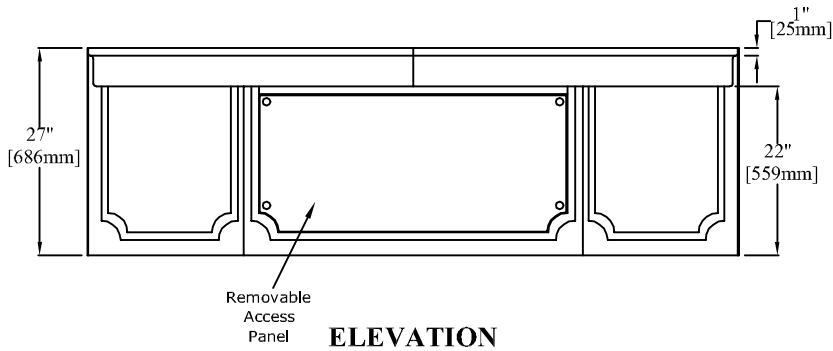


Clarion Bathware



*60" [1524mm] Corner Bathtub
With Removable Access Panel*

FRONT CENTER DRAIN

PRODUCT SPECIFICATIONS:

- * Product complies with NAHB, HUD UM-73A, and ANSI-Z124.1.
- * Wood reinforced & slip resistant floor.
- * Spacious Bathwell with a molded seat and arm rests.
- * Removable access panel.
- * Integral 1" [25mm] nailing flange.
- * Factory drilled 2 1/2" [64mm] overflow.
- * Bathwell Dimensions (At Top): W-63" [1600mm]
D-28 1/2" [724mm]
H-19 1/4" [489mm]
- * Bathwell Dimensions (At Bottom): W-44" [1118mm]
D-24 3/4" [629mm]
- * Bathwell Capacity (At Overflow): 85 Gallons [322L]
- * Water Level (At Overflow): 15 3/4" [400mm]
- * This unit is available without an overflow (Model 4060AM).
- * All dimensions +/- 1/4" [6.4mm]
- * Clarion Bathware reserves the right to change design and/or dimensions.
- * Dimensions are the same for RE, RS, MP, CU and all other versions of this model.

Model 4060A

60" [1499mm] Corner Bathtub With Removable Access Panel

Clarion
BATHWARE
44 Amsler Ave.
Shippenville, PA 16254

Phone: (814) 226-5374
Toll Free: (800) 576-9228
Fax: (814) 226-0730
www.clarionbathware.com

Signatures For Approval:

Customer: _____
Arch./Engr: _____
Contractor: _____
Cla. Engr: _____

Date: _____

Dwg. Name:
4060A-CUT

Dwg. By: DJC
DATE: 1/4/07