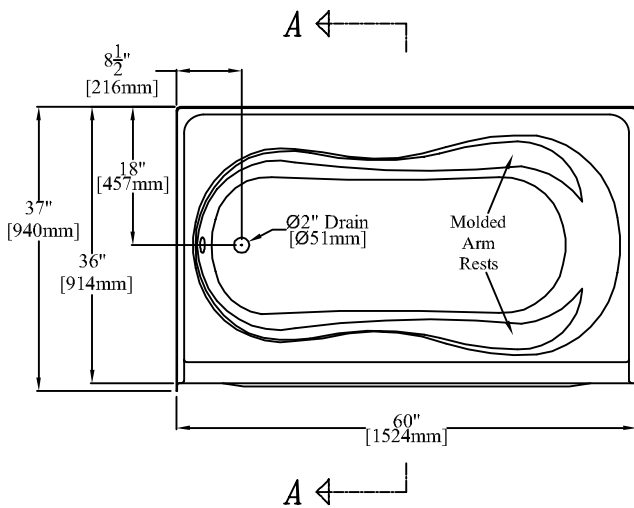
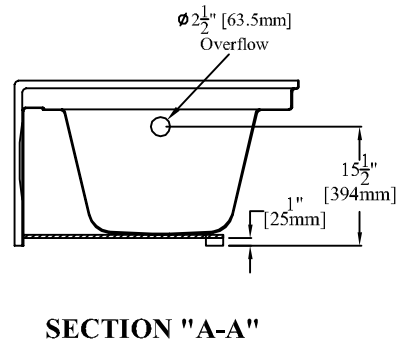
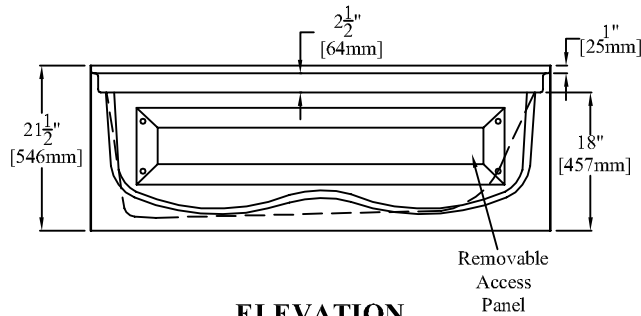


Clarion Bathware



60" [1524mm] Bathtub
With Removable Access Panel

Left Hand Version (3660LA) Shown

ANGEL

PRODUCT SPECIFICATIONS:

- * Product complies with NAHB, HUD UM-73A, and ANSI-Z124.1.
- * Wood reinforced & slip resistant floor.
- * Integral 1" [25mm] nailing flange.
- * Factory drilled 2 1/2" [64mm] overflow.
- * Spacious bathwell with molded arm rests.
- * Removable access panel
- * Bathwell Dimensions (At Top): W-55 3/4" [1416mm]
D-30 1/4" [768mm]
H-15 3/4" [400mm]
- * Bathwell Dimensions (At Bottom): W-46" [1168mm]
D-18" [457mm]
- * Bathwell Capacity (At Overflow): 40 Gallons [151L]
- * Water Level (At Overflow): 12 1/2" [318mm]
- * This unit is available without an overflow (Model 3660LAM or 3660RAM)
- * This unit is available without a removable access panel (Model 3660L or 3660R)
- * All dimensions +/- 1/4" [6.4mm]
- * Clarion Bathware reserves the right to change design and/or dimensions.
- * Dimensions are the same for RE, RS, MP, CU, and all other versions of this model.

Model 3660LA or 3660RA

60" [1524mm] Bathtub with Left or Right Hand Drain and Removable Access Panel

Clarion
BATHWARE
44 Amsler Ave.
Shippenville, PA 16254

Phone: (814) 226-5374
Toll Free: (800) 576-9228
Fax: (814) 226-0730
www.clarionbathware.com

Signatures For Approval:

Customer: _____
Arch./Engr: _____
Contractor: _____
Cla. Engr: _____

Date: _____

Dwg. Name:
3660LorR-CUT

Dwg. By: DJC
DATE: 1/2/07