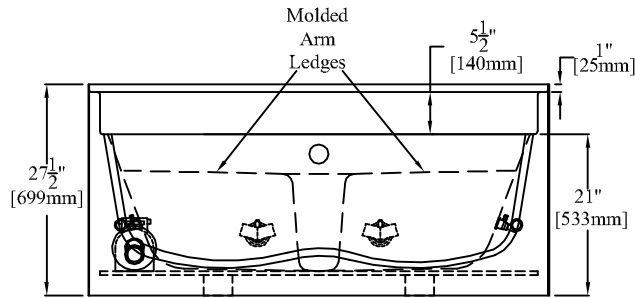
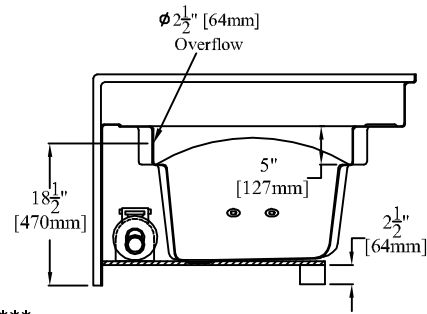


Clarion Bathware

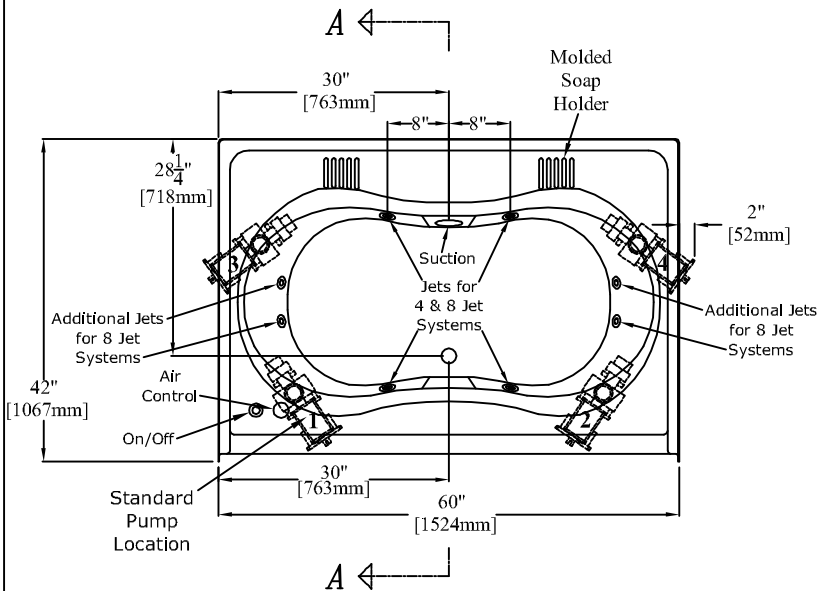


ELEVATION



SECTION "A-A"

*** For clarity, ***
the whirlpool piping
has been omitted
from this drawing



PLAN

60" [1524mm] Bathtub
With 4 or 8 Jet Whirlpool Package

FRONT CENTER DRAIN

PRODUCT SPECIFICATIONS:

- * Product complies with NAHB, HUD UM-73A, and ANSI-Z124.1.
- * When installing this whirlpool, an access area should be provided near the location of the whirlpool pump for future access. An access area is required by many local, state & federal building codes.
- * Recommended access area dimensions: W-20" [508mm] H-15" [381mm]
- * Wood reinforced & slip resistant floor.
- * Integral 1" [25mm] nailing flange.
- * Factory drilled 2 1/2" [64mm] overflow.
- * Molded arm ledges in bathwell.
- * Bathwell Dimensions (At Top): W-55" [1397mm] D-26" [660mm] H-17" [432mm]
- * Bathwell Dimensions (At Bottom): W-41" [1041mm] D-19 1/2" [495mm]
- * Bathwell Capacity (At Overflow): 55 Gallons [208L]
- * Water Level (At Overflow): 13 3/4" [349mm]
- * This unit is available without an overflow. (Model RE3100MDM:4 or RE3100MDM:8).
- * This unit is available with a removable access panel. (Model RE3100MDA:4, RE3100MDAM:4, RE3100MDA:8 or RE3100MDAM:8)
- * Pump positions labeled 2, 3 & 4 are alternate pump locations that are also available. (In positions 3 & 4, the pump will stick out from the rough-in dimensions by 2" on 8 jet systems.)
- * All dimensions +/- 1/4" [6.4mm]
- * Clarion Bathware reserves the right to change design and/or dimensions.
- * Dimensions are the same for RE, RS, MP, CU, and all other versions of this model.

RE3100MD:4 or RE3100MD:8

60" Bathtub with 4 or 8 Jet Whirlpool Package

Clarion
BATHWARE
44 Amsler Ave.
Shippenville, PA 16254

Phone: (814) 226-5374
Toll Free: (800) 576-9228
Fax: (814) 226-0730
www.clarionbathware.com

Signatures For Approval:

Customer: _____
Arch./Engr: _____
Contractor: _____
Cla. Engr: _____

Date: _____

Dwg. Name:
3100MD
-4&8JETCUT
Dwg. By: DJC
DATE: 6/6/08