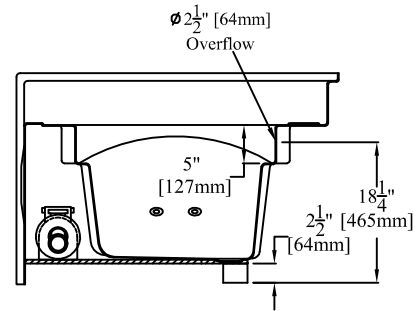


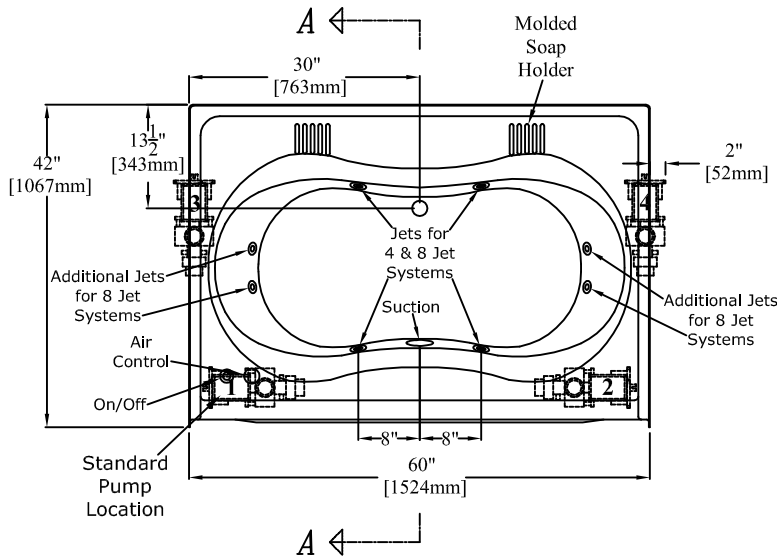
ELEVATION

Removable Access Panel

*** For clarity, *** the whirlpool piping has been omitted from this drawing



SECTION "A-A"



PLAN

*60" [1524mm] Bathtub
With Removable Access Panel
& 4 or 8 Jet Whirlpool Package
REAR CENTER DRAIN*

PRODUCT SPECIFICATIONS:

- * Product complies with NAHB, HUD UM-73A, and ANSI-Z124.1.2.
- * Reinforced & slip resistant floor.
- * Integral 1" [25mm] nailing flange.
- * Factory drilled 2 1/2" [64mm] overflow.
- * Molded arm ledges in bathwell.
- * Removable access panel.
- * Bathwell Dimensions (At Top): W-55" [1397mm]
D-26" [660mm]
H-17" [432mm]
- * Bathwell Dimensions (At Bottom): W-41" [495mm]
D-19 1/2" [495mm]
- * Bathwell Capacity (At Overflow): 55gal. [208L]
- * Water Level (At Overflow): 13 3/4" [349mm]
- * This unit is available without an overflow model becomes (RE3100AM:4 or RE3100AM:8).
- * This unit is available without a removable access panel model becomes (RE3100:4, RE3100M:4, RE3100:8 or RE3100M:8)
- * Pump positions labeled 2, 3 & 4 are alternate pump locations that are also available. (In positions 3 & 4, the pump will stick out from the rough-in dimension by 2" on 8 jet systems.)
- * All dimensions +/- 1/4" [6.4mm]
- * Clarion Bathware reserves the right to change design and/or dimensions.
- * Dimensions are the same for RE, MP, and all other versions of this model.

RE3100A:4 or RE3100A:8

60" [1524mm] Bathtub w/ Removable Access Panel & 4 or 8 Jet Whirlpool Package

Clarion
BATHWARE
44 Amsler Ave.
Shippenville, PA 16254

Phone: (814) 226-5374
Toll Free: (800) 576-9228
Fax: (814) 226-0730
www.clarionbathware.com

Signatures For Approval:

Customer: _____ Date: _____
Arch./Engr: _____

Quote #: _____
Job Name: _____

Dwg. #
RE3100A
-4&8 JETCUT

Dwg. By: DJC
DATE: 6/6/08

***** IMPORTANT NOTICE *****

Clarion Bathware reserves the right to change the design and/or dimensions of its products at any time. This drawing may have been updated since this publication was issued. Before placing an order for any product, refer to our website at www.clarionbathware.com to obtain the most current drawings for any products that you wish to purchase. Compare the date of revision of the drawing that you have with the one on the drawing on our website. If you do not have internet access, please call your sales representative or Clarion Bathware's sales department at 1-800-576-9228.