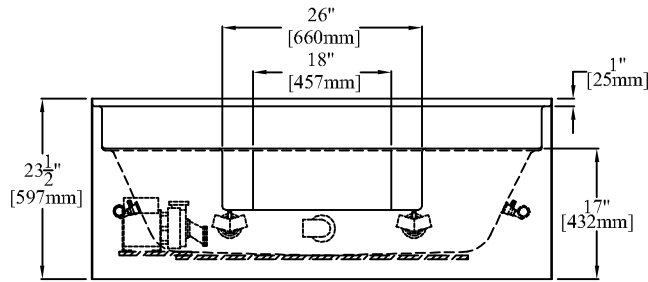
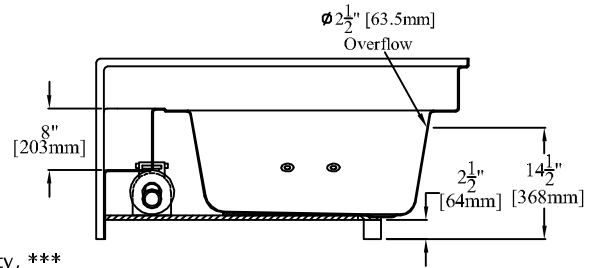


# Clarion Bathware



**ELEVATION**

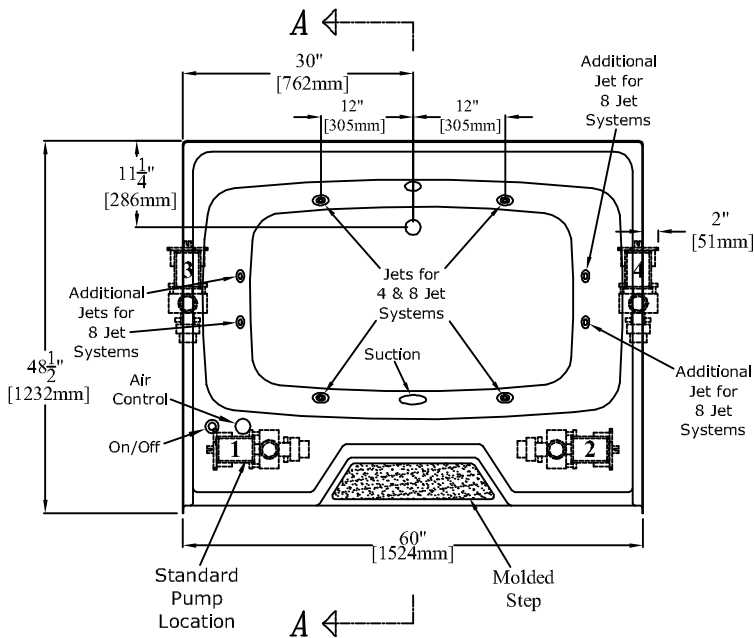


**SECTION "A-A"**

\*\*\* For clarity, \*\*\*  
the whirlpool piping  
has been omitted  
from this drawing

**PRODUCT SPECIFICATIONS:**

- \* Product complies with NAHB, HUD UM-73A, and ANSI-Z124.1.
- \* When installing this whirlpool, an access area should be provided near the location of the whirlpool pump for future access. An access area is required by many local, state & federal building codes.
- \* Recommended access area dimensions: W-20" [508mm]  
H-15" [381mm]
- \* Wood reinforced & slip resistant floor.
- \* Integral 1" [25mm] nailing flange.
- \* Factory drilled 2 1/2" [64mm] overflow.
- \* Molded step on outside of bathtub.
- \* Bathwell Dimensions (At Top): W-53 3/4" [1365mm]  
D-30 1/4" [768mm]  
H-14 1/4" [362mm]
- \* Bathwell Dimensions (At Bottom): W-42" [1067mm]  
D-24" [610mm]
- \* Bathwell Capacity (At Overflow): 60 Gallons [227L]
- \* Water Level (At Overflow): 10" [254mm]
- \* This unit is available without an overflow (Model RE3000M:4 or RE3000M:8).
- \* Pump positions labeled 2, 3 & 4 are alternate pump locations that are available. (In positions 3 & 4, the pump will stick out from the rough-in dimensions by 2" if an 8 jet system is ordered.
- \* All dimensions +/- 1/4" [6.4mm]
- \* Clarion Bathware reserves the right to change design and/or dimensions.
- \* Dimensions are the same for RE, RS, MP, CU and all other versions of this model.



**PLAN**

60" [1524mm] "Garden Style" Bathtub  
With 4 or 8 Jet Whirlpool Package

*CENTER DRAIN*

**RE3000:4 or RE3000:8**

**60" [1524mm] "Garden Style" Bathtub with 4 or 8 Jet Whirlpool Package**

**Clarion**  
BATHWARE  
44 Amsler Ave.  
Shippenville, PA 16254

Phone: (814) 226-5374  
Toll Free: (800) 576-9228  
Fax: (814) 226-0730  
www.clarionbathware.com

Signatures For Approval:

Customer: \_\_\_\_\_  
Arch./Engr: \_\_\_\_\_  
Contractor: \_\_\_\_\_  
Cla. Engr: \_\_\_\_\_

Date: \_\_\_\_\_

Dwg. Name:  
RE3000  
-4&8JETCUT  
Dwg. By: DJC  
DATE: 6/4/08