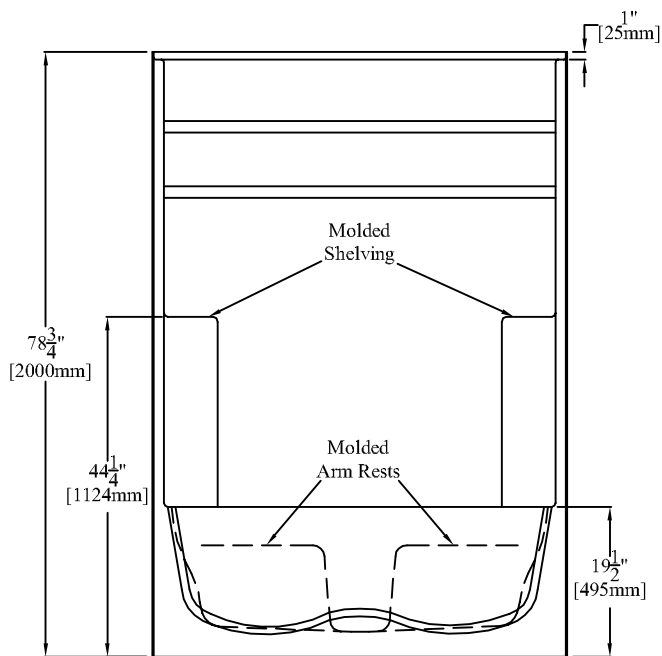
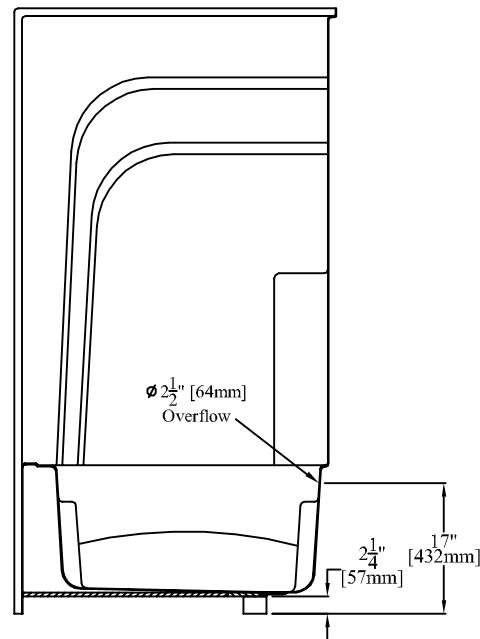


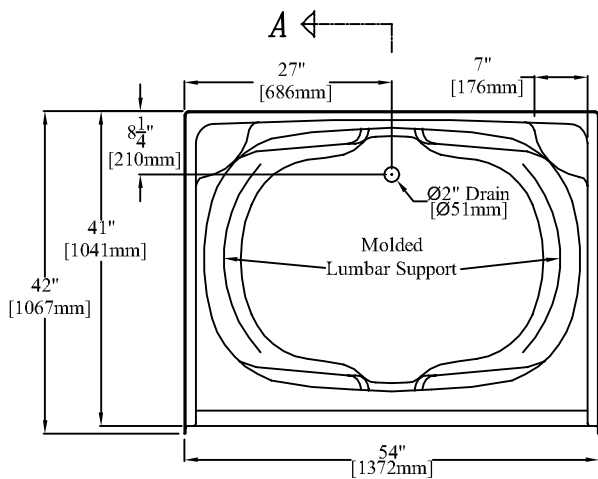
Clarion Bathware



ELEVATION



SECTION "A-A"



A ←

PLAN

54" [1372mm] 1-Piece Tub/Shower

CENTER DRAIN

PRODUCT SPECIFICATIONS:

- * Product complies with NAHB, HUD UM-73A, and ANSI-Z124.1.
- * Wood reinforced & slip resistant floor.
- * Integral 1" [25mm] nailing flange.
- * Molded corner shelving.
- * Spacious bathwell with molded arm rests and lumbar support.
- * Factory drilled 2 1/2" [64mm] overflow.
- * Door Opening: W-51" [1295mm]
H-57 3/4" [1467mm]
- * Bathwell Dimensions (At Top): W-49" [1245mm]
D-34" [864mm]
H-16 1/2" [419mm]
- * Bathwell Dimensions (At Bottom): W-39 1/2" [1003mm]
D-27 1/4" [692mm]
- * Bathwell Capacity (At Overflow): 55 Gallons [208L]
- * Water Level (At Overflow): 12 3/4" [324mm]
- * This unit is available without an overflow (Model 2054M).
- * All dimensions +/- 1/4" [6.4mm]
- * Clarion Bathware reserves the right to change design and/or dimensions.
- * Dimensions are the same for RE, RS, MP, CU and all other versions of this model.

Model 2054

54" [1372mm] 1-Piece Tub/Shower

Clarion
BATHWARE
44 Amsler Ave.
Shippenville, PA 16254

Phone: (814) 226-5374
Toll Free: (800) 576-9228
Fax: (814) 226-0730
www.clarionbathware.com

Signatures For Approval:

Customer: _____
Arch./Engr: _____
Contractor: _____
Cla. Engr: _____

Date:

Dwg. Name:
2054-CUT

Dwg. By: DJC
DATE: 1/2/07