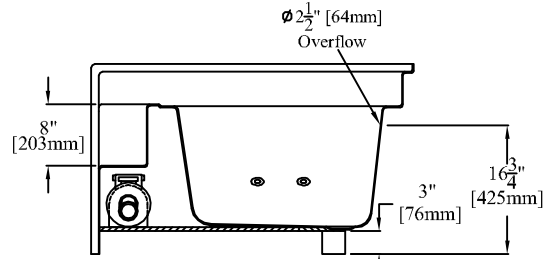
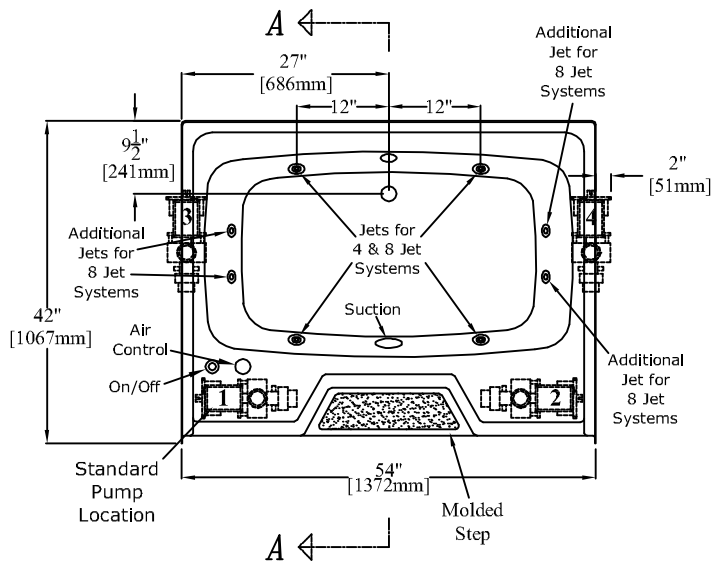


ELEVATION

*** For clarity, ***
the whirlpool piping
has been omitted
from this drawing



SECTION "A-A"



PLAN

54" [1372mm] "Garden Style" Bathtub
With 4 or 8 Jet Whirlpool Package

CENTER DRAIN

PRODUCT SPECIFICATIONS:

- * Product complies with NAHB, HUD UM-73A, and ANSI-Z124.1.
- * When installing this whirlpool, an access area should be provided near the location of the whirlpool pump for future access. An access area is required by many local, state & federal building codes.
- * Recommended access area dimensions: W-20" [508mm] H-15" [381mm]
- * Wood reinforced & slip resistant floor.
- * Sufficient drain clearance to accommodate above the floor plumbing.
- * Integral 1" [25mm] nailing flange.
- * Factory drilled 2 1/2" [64mm] overflow.
- * Molded step on outside of bathtub.
- * Bathwell Dimensions (At Top): W-48" [1219mm] D-24 1/4" [616mm] H-15" [381mm]
- * Bathwell Dimensions (At Bottom): W-38" [965mm] D-21" [533mm]
- * Bathwell Capacity (At Overflow): 55 Gallons [208L]
- * Water Level (At Overflow): 11 3/4" [298mm]
- * This unit is available without an overflow (Model RE2000XM:4 or RE2000XM:8).
- * Pump positions labeled 2, 3 & 4 are alternate pump locations that are available. (In positions 3 & 4, the pump will stick out from the rough-in dimensions by 2" if an 8 jet system is ordered.)
- * All dimensions +/- 1/4" [6.4mm]
- * Clarion Bathware reserves the right to change design and/or dimensions.

RE2000X:4 or RE2000X:8

54" Garden Style Bathtub with 4 or 8 Jet Whirlpool Package

Clarion
BATHWARE
44 Amsler Ave.
Shipperville, PA 16254

Phone: (814) 226-5374
Toll Free: (800) 576-9228
Fax: (814) 226-0730
www.clarionbathware.com

Signatures For Approval:

Customer: _____
Arch./Engr: _____
Contractor: _____
Cla. Engr: _____

Date:

Dwg. Name:

RE2000X
-4&8JETCUT

Dwg. By: DJC
DATE: 4/1/10