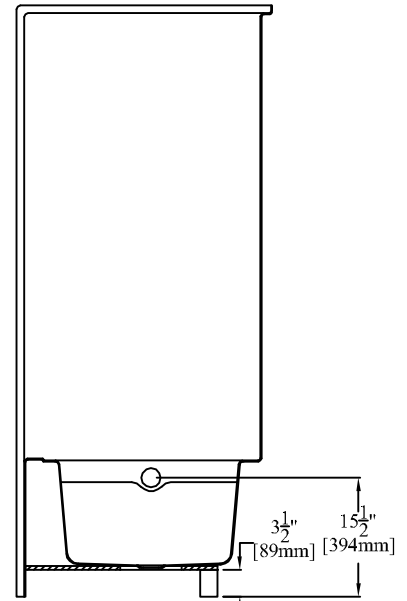
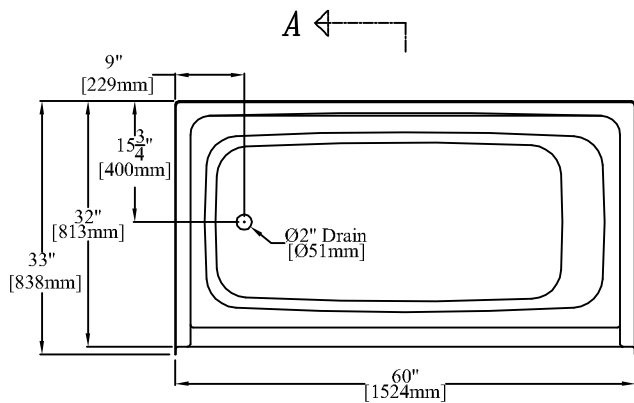


**ELEVATION**



**SECTION "A-A"**



**PLAN**

*60" [1524mm] Tub/Shower*

*Left Hand Version (7911LX) Shown*

**PRODUCT SPECIFICATIONS:**

- \* Product complies with NAHB, HUD UM-73A, ADAAG, ANSI A117.1 and ANSI-Z124.1.
- \* Wood reinforced & slip resistant floor.
- \* Integral 1" [25mm] nailing flange.
- \* Factory drilled 2 1/2" [64mm] overflow.
- \* Door Opening: W-56" [1422mm]  
H-57 1/2" [1461mm]
- \* Bathwell Dimensions (At Top): W-52" [1321mm]  
D-23" [584mm]  
H-13 1/2" [343mm]
- \* Bathwell Dimensions (At Bottom): W-45 1/4" [1149mm]  
D-19 1/2" [495mm]
- \* Bathwell Capacity (At Overflow): 42 Gallons [159L]
- \* Water Level (At Overflow): 10" [254mm]
- \* All dimensions +/- 1/4" [6.4mm]
- \* Clarion Bathware reserves the right to change design and/or dimensions.
- \* Dimensions are the same for RE, RS, MP, CU and all other versions of this model.

**7911LX or 7911RX**

**60" [1524mm] Tub/Shower with Left or Right Hand Drain & Above The Floor Rough**

**Clarion**  
BATHWARE  
44 Amsler Ave.  
Shipperville, PA 16254

Phone: (814) 226-5374  
Toll Free: (800) 576-9228  
Fax: (814) 226-0730  
www.clarionbathware.com

Signatures For Approval:

Customer: \_\_\_\_\_  
Arch./Engr: \_\_\_\_\_  
Contractor: \_\_\_\_\_  
Cla. Engr: \_\_\_\_\_

Date:

\_\_\_\_\_  
\_\_\_\_\_  
\_\_\_\_\_  
\_\_\_\_\_

Dwg. Name:  
7911LXor7911RX  
-CUT

Dwg. By: DJC  
DATE: 3/10/10