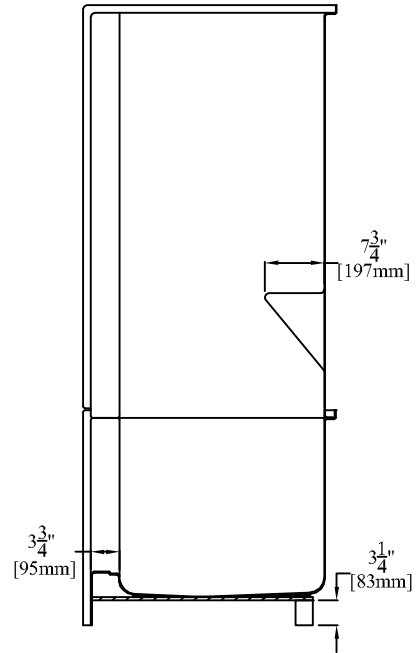
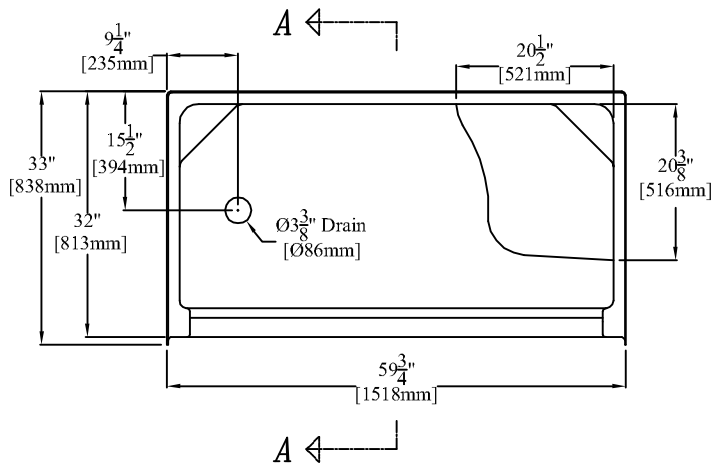


ELEVATION



SECTION "A-A"



PLAN

*59 3/4" [1518mm] 3-Piece Shower Stall
With Left or Right Hand Drain
& Molded Seat*

Left Hand Version (6032LX/S) Shown

PRODUCT SPECIFICATIONS:

- * Product complies with NAHB, HUD UM-73A, and ANSI-Z124.2.
- * Wood reinforced & slip resistant floor.
- * Sufficient drain clearance to accommodate above the floor plumbing.
- * Integral 1" [25mm] nailing flange.
- * Molded seat located opposite valve wall.
- * Door Opening: W-53 3/4" [1365mm]
H-72 1/2" [1842mm]
- * All dimensions +/- 1/4" [6.4mm]
- * Clarion Bathware reserves the right to change design and/or dimensions.
- * Dimensions are the same for RE, MP, CU and all other versions of this model.

Model 6032LX/S or 6032RX/S

59 3/4" [1518mm] 3-Piece Shower Stall With Left or Right Hand Drain & Molded Seat

Clarion
BATHWARE
44 Amsler Ave.
Shippenville, PA 16254

Phone: (814) 226-5374
Toll Free: (800) 576-9228
Fax: (814) 226-0730
www.clarionbathware.com

Signatures For Approval:

Customer: _____
Arch./Engr: _____
Contractor: _____
Cla. Engr: _____

Date:

Dwg. Name:
6032LX/Sor
6032RXS-CUT
Dwg. By: DJC
DATE: 4/1/10