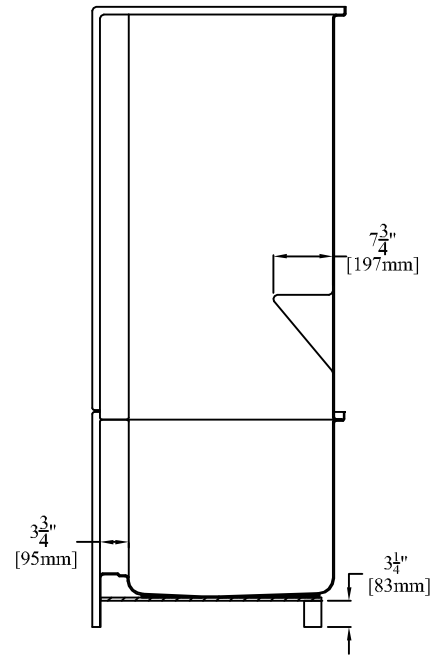
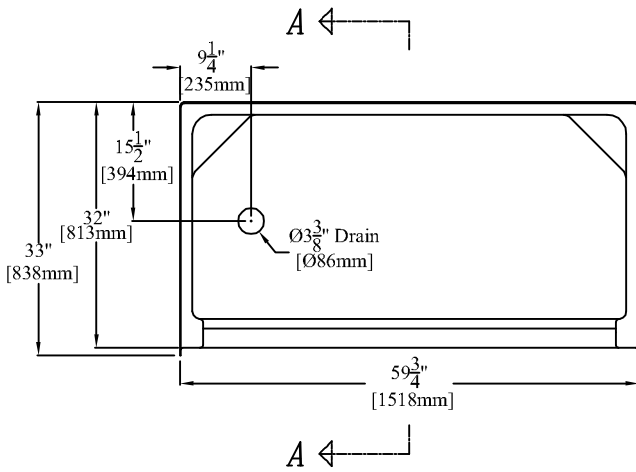


**ELEVATION**



**SECTION "A-A"**



**PLAN**

*59 3/4" [1518mm] 3-Piece Shower Stall  
With Left or Right Hand Drain  
& Molded Soap Ledges*

*Left Hand Version (6032LSDX) Shown*

**PRODUCT SPECIFICATIONS:**

- \* Product complies with NAHB, HUD UM-73A, and ANSI-Z124.2.
- \* Wood reinforced & slip resistant floor.
- \* Sufficient drain clearance to accommodate above the floor plumbing.
- \* Integral 1" [25mm] nailing flange.
- \* Molded shelving.
- \* Door Opening: W-53 3/4" [1365mm]  
H-72 1/2" [1842mm]
- \* All dimensions +/- 1/4" [6.4mm]
- \* Clarion Bathware reserves the right to change design and/or dimensions.
- \* Dimensions are the same for RE, MP, CU and all other versions of this model.

**Model 6032LSDX or 6032RSDX**

**59 3/4" [1518mm] 3-Piece Shower Stall With Left or Right Hand Drain & Molded Soap Ledges**

**Clarion**  
BATHWARE  
44 Amsler Ave.  
Shippenville, PA 16254

Phone: (814) 226-5374  
Toll Free: (800) 576-9228  
Fax: (814) 226-0730  
www.clarionbathware.com

Signatures For Approval:

Customer: \_\_\_\_\_  
Arch./Engr: \_\_\_\_\_  
Contractor: \_\_\_\_\_  
Cla. Engr: \_\_\_\_\_

Date:

\_\_\_\_\_  
\_\_\_\_\_  
\_\_\_\_\_  
\_\_\_\_\_

Dwg. Name:  
6032LSDXor  
6032RSDX-CUT

Dwg. By: DJC  
DATE: 4/1/10