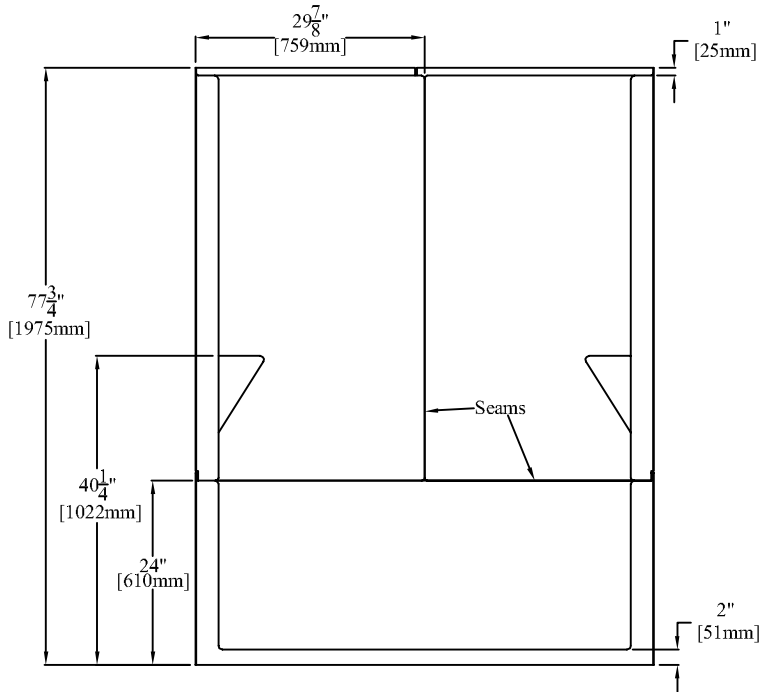
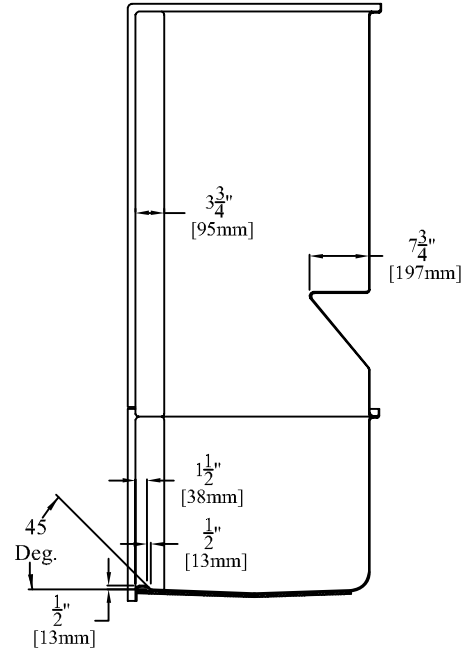


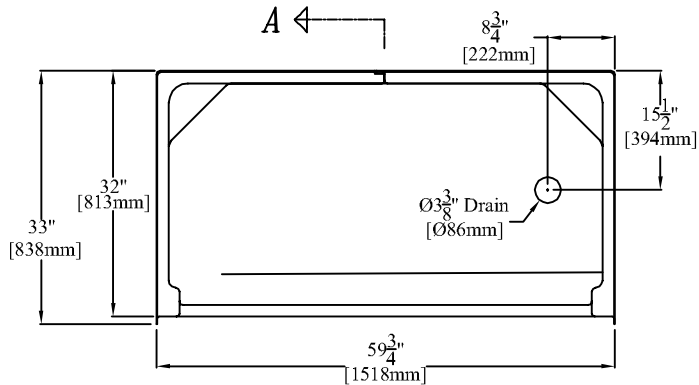
Clarion Bathware



ELEVATION



SECTION "A-A"



A ←

PLAN

*60" [1524mm] 1-Piece Barrier-free Shower Stall
With 2" [51mm] Threshold and Left
or Right Hand Drain*

Right Hand Version (6032RBF) Shown

PRODUCT SPECIFICATIONS:

- * SPECIAL INSTALLATION INSTRUCTIONS FOR THIS UNIT MUST BE FOLLOWED CAREFULLY.
- * Product complies with NAHB, HUD UM-73A, and ANSI-Z124.2.
- * Wood reinforced & slip resistant floor.
- * Integral 1" [25mm] nailing flange.
- * This shower cannot accept a door.
- * All dimensions +/- 1/4" [6.4mm]
- * Clarion Bathware reserves the right to change design and/or dimensions.
- * Dimensions are the same for RE, RS, MP, CU and all other versions of this model.

Model 6032LBF or 6032RBF

59 3/4" [1518mm] 3-Piece Barrier-free Shower Stall With 2" [51mm] Threshold and Left or Right Hand Drain

Clarion
BATHWARE
44 Amsler Ave.
Shippenville, PA 16254

Phone: (814) 226-5374
Toll Free: (800) 576-9228
Fax: (814) 226-0730
www.clarionbathware.com

Signatures For Approval:

Customer: _____
Arch./Engr: _____
Contractor: _____
Cla. Engr: _____

Date:

Dwg. Name:
6032LBF
6032RBF-CUT
Dwg. By: DJC
DATE: 11/16/07