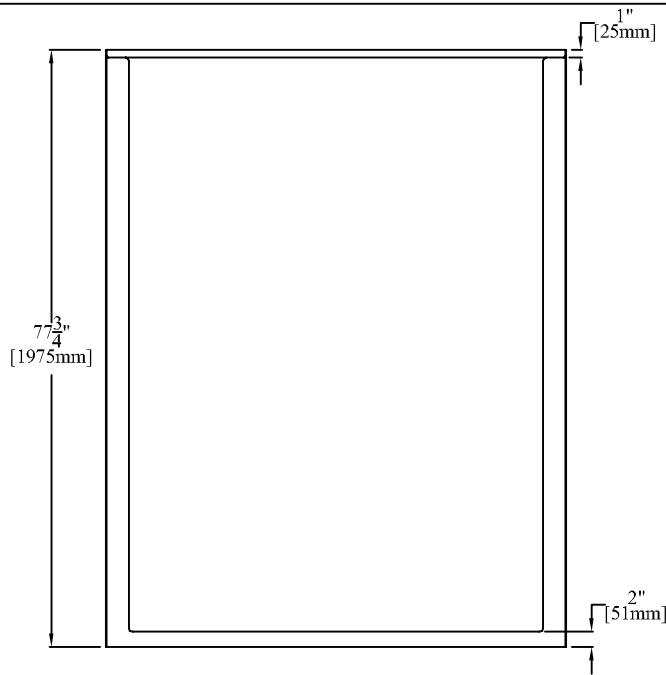
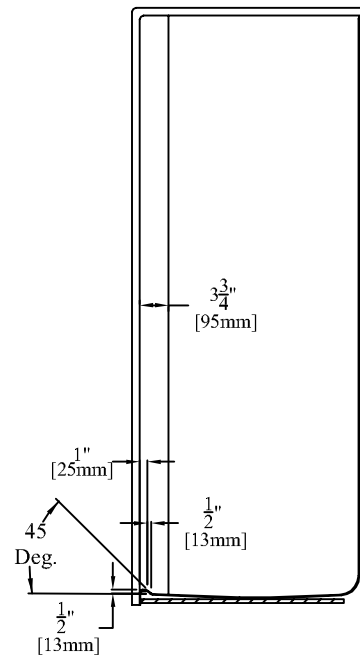


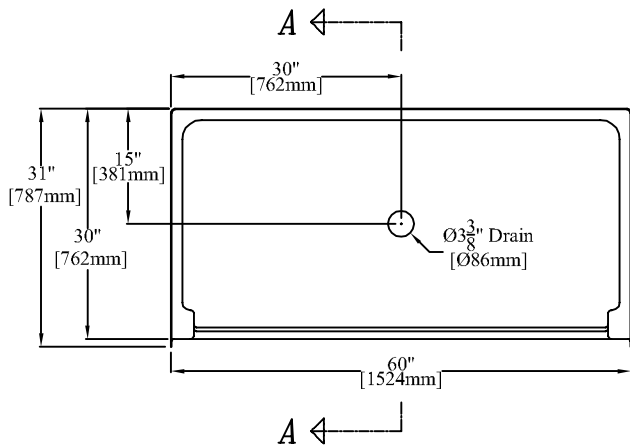
Clarion Bathware



ELEVATION



SECTION "A-A"



PLAN

*60" [1524mm] 1-Piece Barrier-free Shower Stall
With 2" [51mm] Threshold*

PRODUCT SPECIFICATIONS:

- * SPECIAL INSTALLATION INSTRUCTIONS FOR THIS UNIT MUST BE FOLLOWED CAREFULLY.
- * Product complies with NAHB, HUD UM-73A, and ANSI-Z124.2.
- * Wood reinforced & slip resistant floor.
- * Integral 1" [25mm] nailing flange.
- * Door Opening: W-53 3/4" [1365mm]
H-74 1/4" [1886mm]
- * All dimensions +/- 1/4" [6.4mm]
- * Clarion Bathware reserves the right to change design and/or dimensions.
- * Dimensions are the same for RE, RS, MP, CU and all other versions of this model.

Model 6030BF

60" [1524mm] 1-Piece Barrier-free Shower Stall With 2" [51mm] Threshold

Clarion
BATHWARE
44 Amsler Ave.
Shipperville, PA 16254

Phone: (814) 226-5374
Toll Free: (800) 576-9228
Fax: (814) 226-0730
www.clarionbathware.com

Signatures For Approval:

Customer: _____
Arch./Engr: _____
Contractor: _____
Cla. Engr: _____

Date:

Dwg. Name:
6030BF
-CUT

Dwg. By: DJC
DATE: 11/15/07