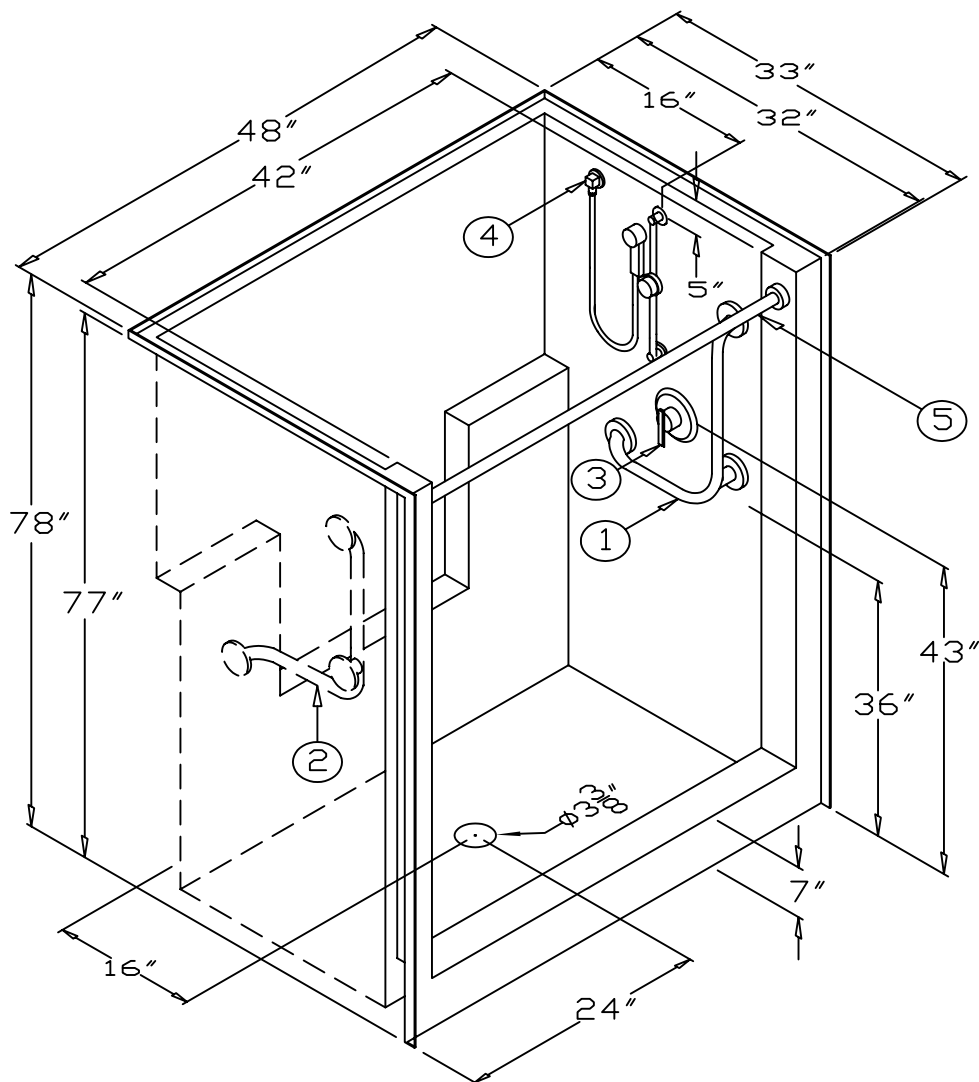


# INDEPENDENCE LINE



## 4832SD SHOWER STALL

48" Shower Stall with Molded Soap Dish and 7" Apron

### RECOMMENDED ACCESSORIES

- |                                      |                                |
|--------------------------------------|--------------------------------|
| 1. GRAB BAR <u>#502412V</u>          | 4. SHOWER HEAD <u>#CHGB-24</u> |
| 2. GRAB BAR <u>#502412V</u>          | 5. CURTAIN ROD <u>#IN-41</u>   |
| 3. SHOWER CONTROLS <u>#CH-SSMV-1</u> |                                |

## CLARION BATHWARE

44 AMSLER AVE.  
SHIPPENVILLE. PA. 16254

PHONE: (814) 226-5374  
FAX: (814) 226-0730

[www.clarionbathware.com](http://www.clarionbathware.com)