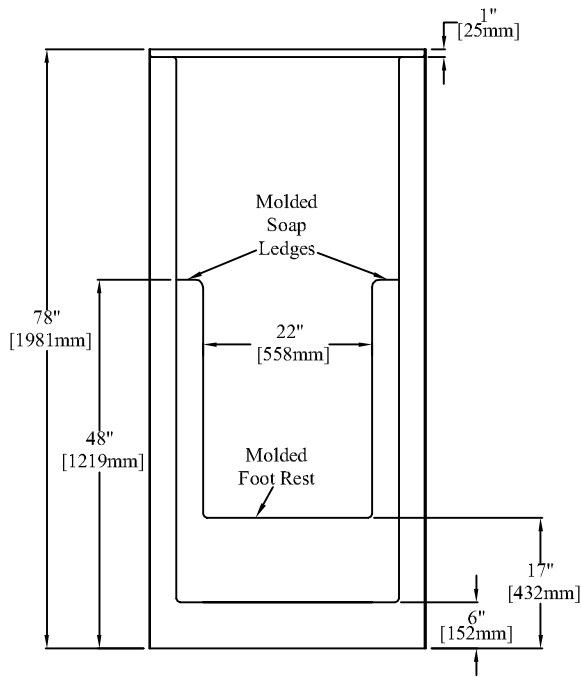
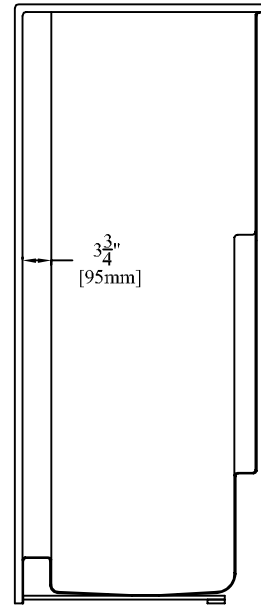


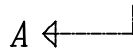
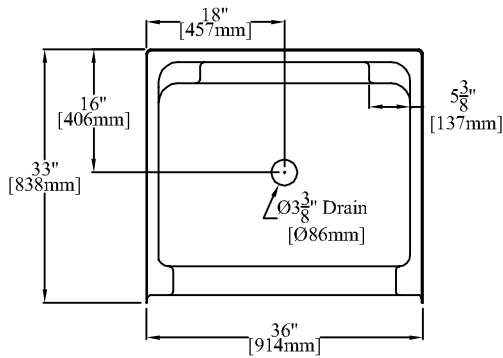
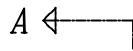
Clarion Bathware



ELEVATION



SECTION "A-A"



PLAN

36" [914mm] 1-Piece Shower with Molded Soap Ledges and Foot Rest

PRODUCT SPECIFICATIONS:

- * Product complies with NAHB, HUD UM-73A, and ANSI-Z124.2.
- * Wood reinforced & slip resistant floor.
- * Integral 1" [25mm] nailing flange.
- * Shower Floor: W-32 3/4" [832mm]
D-23 3/4" [603mm]
- * Door Opening: W-29 3/4" [756mm]
H-70 3/4" [1797mm]
- * Molded foot rest and soap ledges.
- * All dimensions +/- 1/4" [6.4mm]
- * Clarion Bathware reserves the right to change design and/or dimensions.
- * Dimensions are the same for RE, RS, MP, CU and all other versions of this model.

Model 3632SD

36" [914mm] 1-Piece Shower with Molded Soap Ledges and Foot Rest

Clarion
BATHWARE
44 Amsler Ave.
Shippensburg, PA 16254

Phone: (814) 226-5374
Toll Free: (800) 576-9228
Fax: (814) 226-0730
www.clarionbathware.com

Signatures For Approval:

Customer: _____
Arch./Engr: _____
Contractor: _____
Cla. Engr: _____

Date:

Dwg. Name:
3632SD-CUT

Dwg. By: DJC
DATE: 12/3/07