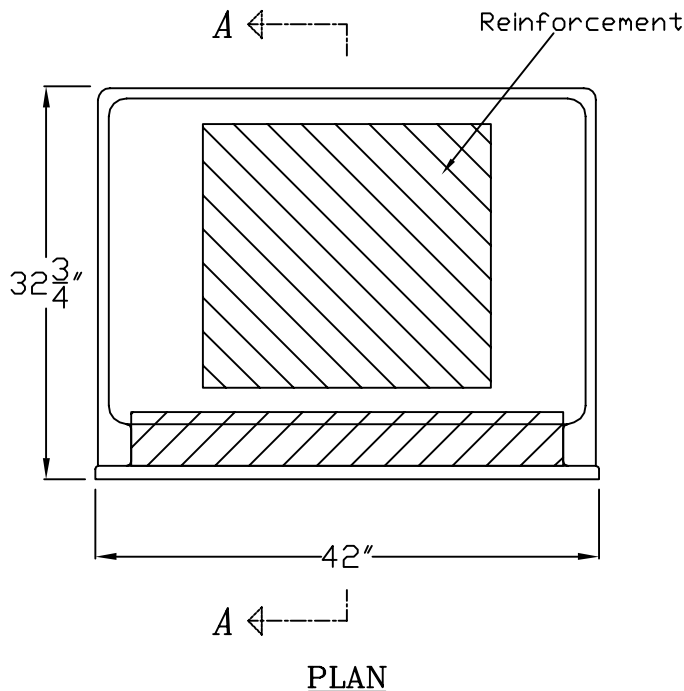
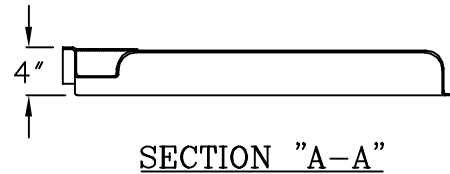
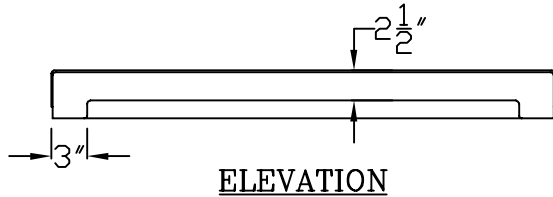


Clarion Bathware



Specifications:

- * Cap fits Clarion Bathware model 4232SD shower stall
- * Has an integral flange that allows the cap to be bolted to the model for which the cap was designed.
- * Use of this cap adds 4" to the overall height of the product that it is to be installed on.
- * All dimensions +/- 1/4"
- * Clarion Bathware reserves the right to change design and/or dimensions

Cap for Clarion Bathware model 4232SD

Model IN42A

42" Cap

Clarion
BATHWARE
Shippenville, Pa. 16254
Phone: 814-226-5374
Fax: 814-226-0730
www.clarionbathware.com

Signature For Approval:

Date:

Customer: _____
Arch./Engr: _____
Contractor: _____
Cla. Engr: _____

Dwg. by: DJC Engr. Ckd. by: BAM

DATE OF LAST REVISION: 7/6/06