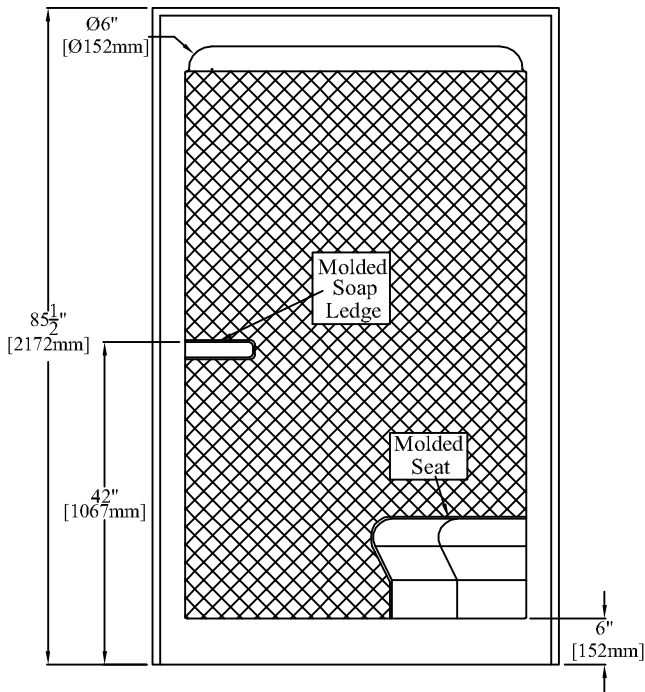
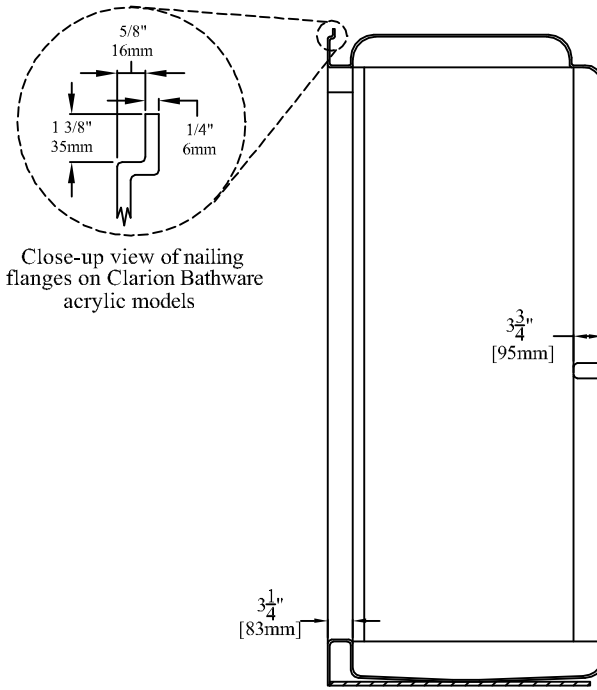


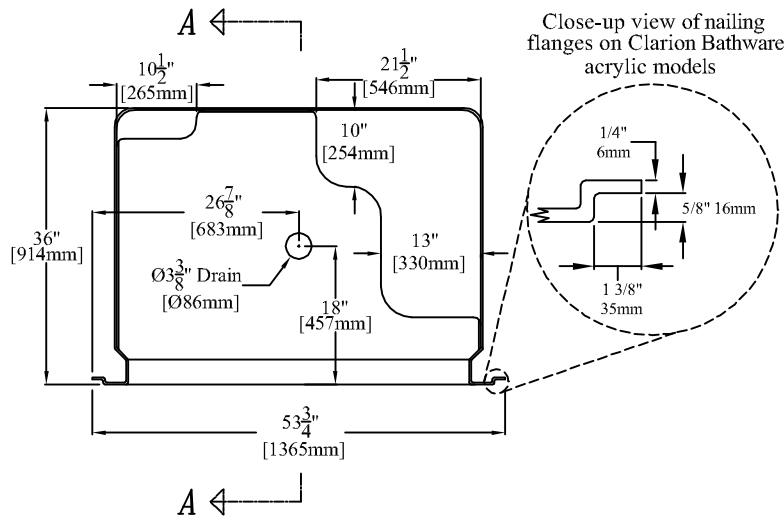
Clarion Bathware



ELEVATION



SECTION "A-A"



PLAN

*1-Piece Acrylic Shower With
6" [152mm] Threshold, Molded Soap Ledge, Integral Dome,
Diamond Back Wall Pattern
& Molded Seat located Opposite Valve Wall*

Left Hand Version (ARL5336/S) Shown

PRODUCT SPECIFICATIONS:

- * Product complies with NAHB, HUD UM-73A, and ANSI-Z124.2.
- * Units are thermoformed from continuous cast acrylic sheet into a one piece, seamless unit.
- * Integral dome.
- * Diamond pattern molded into the back wall of the unit.
- * Reinforced & slip resistant floor.
- * Integral 1 3/8" [35mm] nailing flange.
- * Molded soap ledge located on the valve wall.
- * Molded seat located opposite the valve wall.
- * Door Opening: W-44 7/8" [1140mm]
H-70 1/2" [1791mm]
- * Framing Pocket Dimensions:
W-50"-51 3/4" [1270mm-1314mm]
D-36" [914mm]
H-84 1/2" [2146mm]
- * All dimensions +/- 1/4" [6.4mm]
- * Clarion Bathware reserves the right to change design and/or dimensions.

Model ARL5336/S or ARR5336/S

1-Piece Acrylic Shower with 6" [152mm] Threshold, Molded Soap Ledge, Integral Dome & Molded Seat Located Opposite Valve Wall

Clarion
BATHWARE
44 Amsler Ave.
Shippenville, PA 16254

Phone: (814) 226-5374
Toll Free: (800) 576-9228
Fax: (814) 226-0730
www.clarionbathware.com

Signatures For Approval:

Customer: _____
Arch./Engr: _____
Contractor: _____
Cla. Engr: _____

Date:

Dwg. Name:
ARL5336S
orARR5336S-CUT
Dwg. By: DJC
DATE: 3/19/09