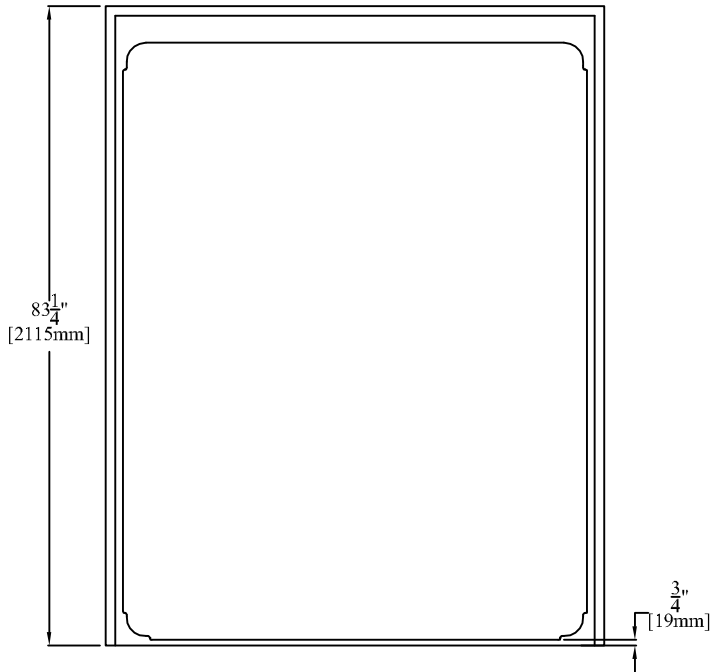
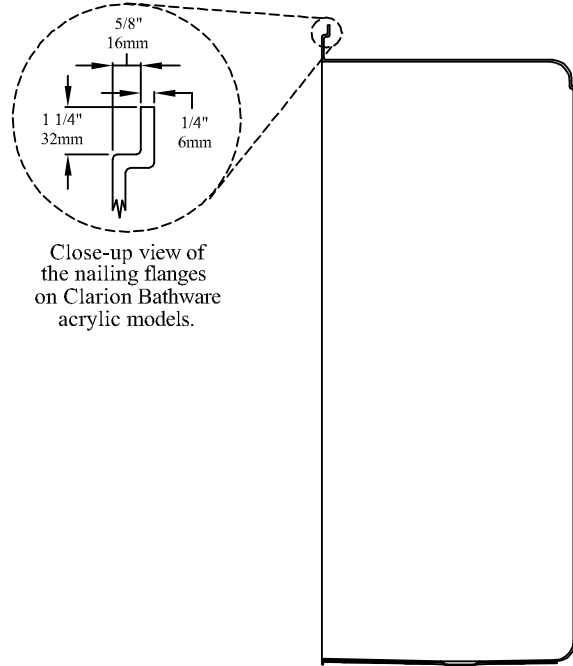


Clarion Bathware

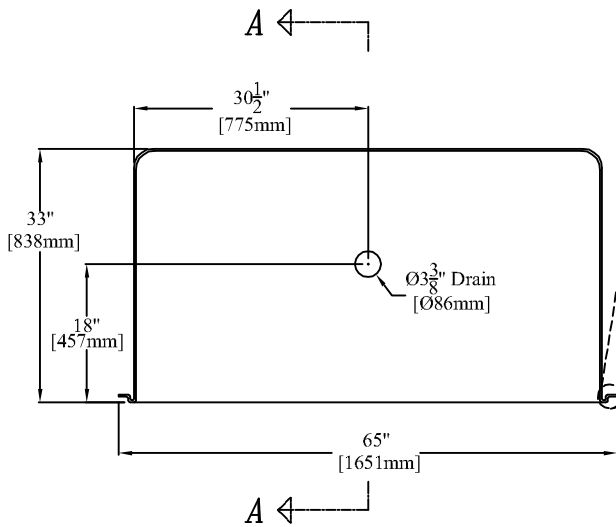


ELEVATION



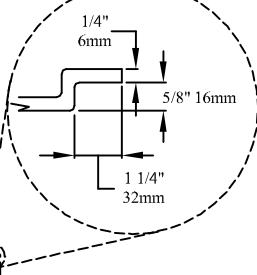
SECTION "A-A"

Close-up view of the nailing flanges on Clarion Bathware acrylic models.



PLAN

Close-up view of the nailing flanges on Clarion Bathware acrylic models.



PRODUCT SPECIFICATIONS:

- * Special installation instructions for this unit must be followed carefully.
- * Product complies with NAHB, HUD UM-73A, and ANSI-Z124.2.
- * When properly accessorized and installed, product will meet requirements of ADAAG and ANSI A117.1.
- * Reinforced & slip resistant floor.
- * Integral nailing flange.
- * Framing Pocket Size: W-63" [1600mm]
D-33 1/2" [851mm]
H-82 1/4" [2089mm]
- * Shower Floor: W-60" [1524mm]
D-32 1/2" [826mm]
- * All dimensions +/- 1/4" [6.4mm]
- * Clarion Bathware reserves the right to change design and/or dimensions.
- * Dimensions are the same for RE, RS, MP, CU and all other versions of this model.

*Acrylic Barrier-free "Roll-in" Style Shower
With 3/4" [19mm] Threshold*

CENTER DRAIN

Model AN6533BF34

Acrylic Barrier-free "Roll-in" Style Shower with 3/4" [19mm] Threshold

Clarion
BATHWARE
44 Amsler Ave.
Shippenville, PA 16254

Phone: (814) 226-5374
Toll Free: (800) 576-9228
Fax: (814) 226-0730
www.clarionbathware.com

Signatures For Approval:

Customer: _____
Arch./Engr: _____
Contractor: _____
Cla. Engr: _____

Date:

Dwg. Name:
AN6533BF34-CUT
Dwg. By: DJC
DATE: 12/2/08