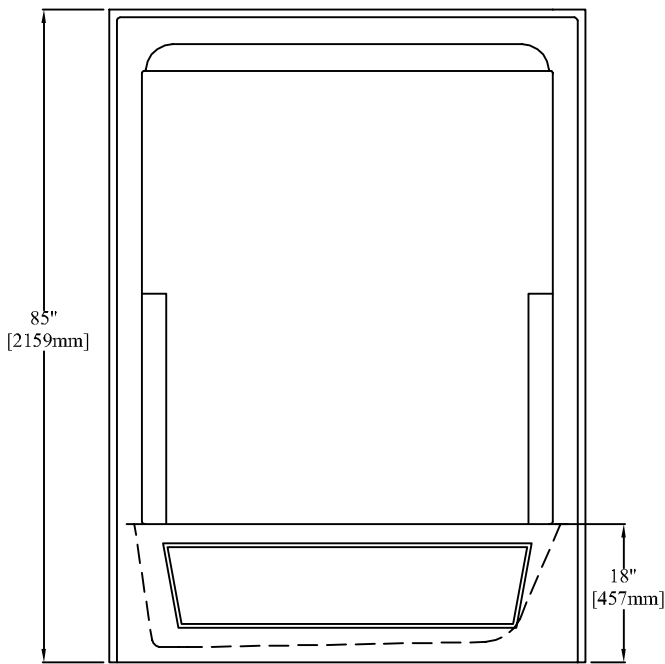
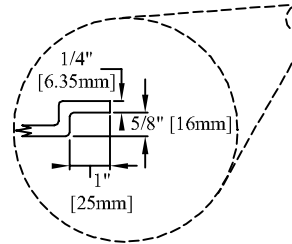


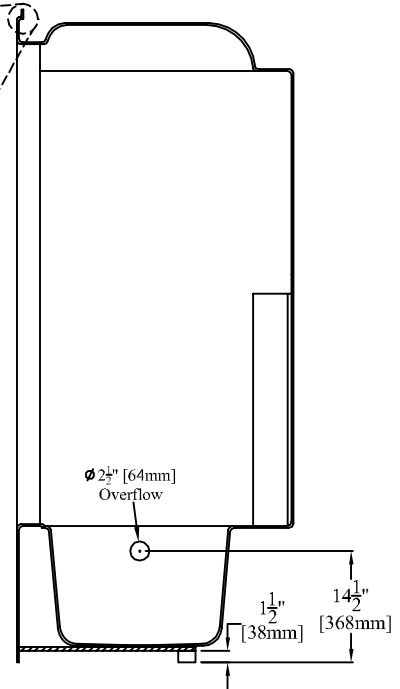
# Clarion Bathware



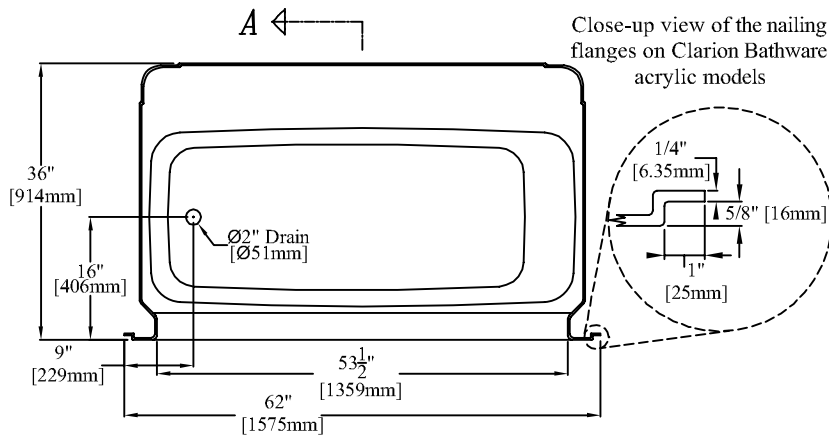
**ELEVATION**



Close-up view of the nailing flanges on Clarion Bathware acrylic models



**SECTION "A-A"**



A ←

**PLAN**

*62" [1575mm] Acrylic Tub/Shower*

*Left Hand Version (AN6036TSL) Shown*

**PRODUCT SPECIFICATIONS:**

- \* Product complies with NAHB, HUD UM-73A, and ANSI-Z124.1.
- \* Clarion Bathware acrylic products are thermoformed from continuous cast acrylic sheet into a one piece seamless unit.
- \* Wood reinforced & slip resistant floor.
- \* Factory drilled 2 1/2" [64mm] overflow.
- \* Door Opening: W-53 1/2" [1359mm]  
H-58 1/2" [1486mm]
- \* Bathwell Dimensions (At Top): W-55 1/2" [1410mm]  
D-23 1/4" [591mm]  
H-15 1/2" [394mm]
- \* Bathwell Dimensions (At Bottom): W-46 1/2" [1181mm]  
D-19" [483mm]
- \* Bathwell Capacity (At Overflow): 45 Gallons [170L]
- \* Water Level (At Overflow): 11" [279mm]
- \* All dimensions +/- 1/4" [6.4mm]
- \* Clarion Bathware reserves the right to change design and/or dimensions.

**Model AN6036TSL or AN6036TSR**

**60" [1524mm] Acrylic Tub/Shower with Left or Right Hand Drain**

**Clarion**  
BATHWARE  
44 Amsler Ave.  
Shippenville, PA 16254

Phone: (814) 226-5374  
Toll Free: (800) 576-9228  
Fax: (814) 226-0730  
www.clarionbathware.com

Signatures For Approval:

Customer: \_\_\_\_\_  
Arch./Engr: \_\_\_\_\_  
Contractor: \_\_\_\_\_  
Cla. Engr: \_\_\_\_\_

Date:

\_\_\_\_\_  
\_\_\_\_\_  
\_\_\_\_\_  
\_\_\_\_\_

Dwg. Name:  
AN6036TSLorTSR  
-CUT  
Dwg. By: DJC  
DATE: 1/8/07