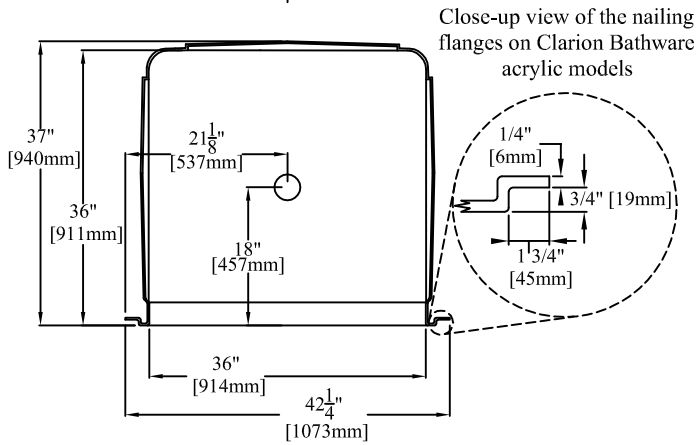


A ←



*42 1/4" [1073 mm] Barrier-free Shower
With a 2" [51mm] Threshold*

CENTER DRAIN

PRODUCT SPECIFICATIONS:

- * For ADAAG and ANSI A117.1 compliance, this unit must be installed in a 1 1/2" [38mm] recess.
- * Special installation instructions for this unit must be followed carefully.
- * Product complies with NAHB, HUD UM-73A, and ANSI-Z124.2.
- * When properly accessorized and installed, product meet requirements of ADAAG and ANSI A117.1.
- * Reinforced & slip resistant floor.
- * Unit cannot accept a door.
- * Integral nailing flange on sides and top.
- * Shower Floor: W-36" [914mm]
D-36" [914mm]
- * Framing Pocket Dimensions:
W-40" [1016mm]
D-36 1/4" [921mm]
H-82 1/2" [2096mm]
- * All dimensions +/- 1/4" [6.4mm]
- * Clarion Bathware reserves the right to change design and/or dimensions.

**Model AN4136LBF or AN4136RBF
Barrier-free Shower with a 2" [51mm] Threshold**

Clarion
BATHWARE
44 Amsler Ave.
Shippenville, PA 16254

Phone: (814) 226-5374
Toll Free: (800) 576-9228
Fax: (814) 226-0730
www.clarionbathware.com

Signatures For Approval:

Customer: _____
Arch./Engr: _____
Contractor: _____
Cla. Engr: _____

Date: _____

Dwg. Name:
AN4136LBF
AN4136RBF-CUT

Dwg. By: DJC
DATE: 3/2/11