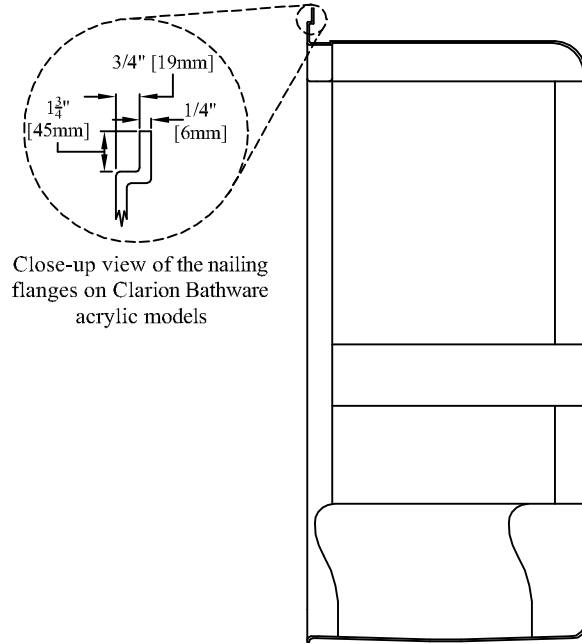
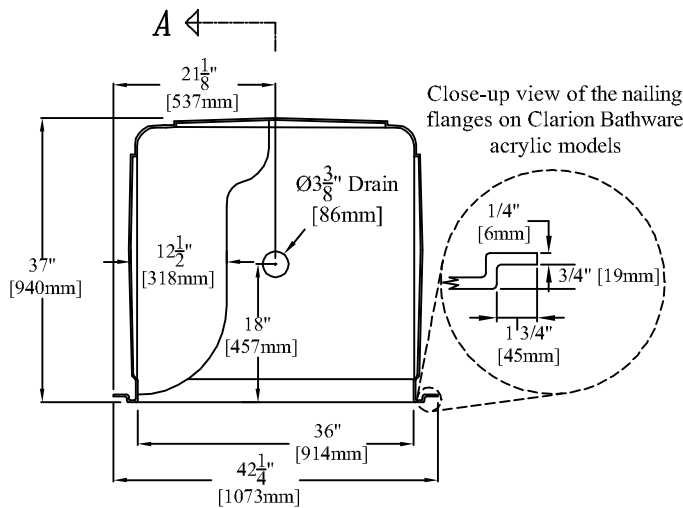


ELEVATION



Close-up view of the nailing flanges on Clarion Bathware acrylic models

SECTION "A-A"



Close-up view of the nailing flanges on Clarion Bathware acrylic models

PLAN

42 1/4" [1073 mm] Barrier-free Shower
With a 3/4" [19mm] Threshold
& Molded Seat

Right Hand Version (AN4136RBF34/S) Shown

CENTER DRAIN

PRODUCT SPECIFICATIONS:

- * Special installation instructions for this unit must be followed carefully.
- * Product complies with NAHB, HUD UM-73A, and ANSI-Z124.2.
- * Reinforced & slip resistant floor.
- * Unit cannot accept a door.
- * Molded seat located opposite the valve wall.
- * Integral nailing flange on sides and top.
- * Shower Floor: W-36" [914mm]
D-36" [914mm]
- * Framing Pocket Dimensions:
W-40" [1016mm]
D-36 1/4" [921mm]
H-82 1/2" [2096mm]
- * All dimensions +/- 1/4" [6.4mm]
- * Clarion Bathware reserves the right to change design and/or dimensions.

Model AN4136LBF34/S or AN4136RBF34/S

Barrier-free Shower with a 3/4" [19mm] Threshold & Molded Seat

Clarion
 BATHWARE
 44 Amsler Ave.
 Shippenville, PA 16254

Phone: (814) 226-5374
 Toll Free: (800) 576-9228
 Fax: (814) 226-0730
 www.clarionbathware.com

Signatures For Approval:

Customer: _____
 Arch./Engr: _____
 Contractor: _____
 Cla. Engr: _____

Date:

Dwg. Name:
 AN4136LBF34/Sor
 AN4136RBF34/S-CUT

Dwg. By: DJC
 DATE: 3/2/11