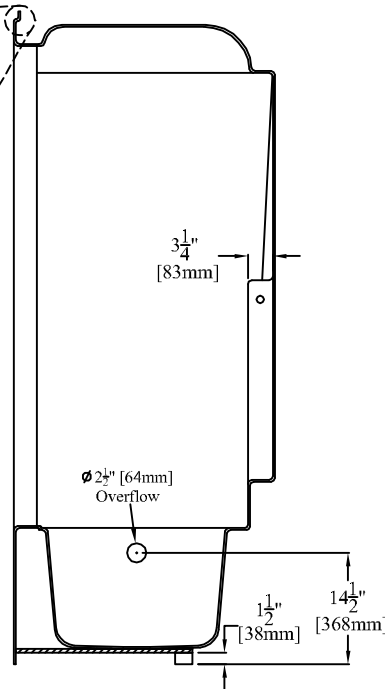
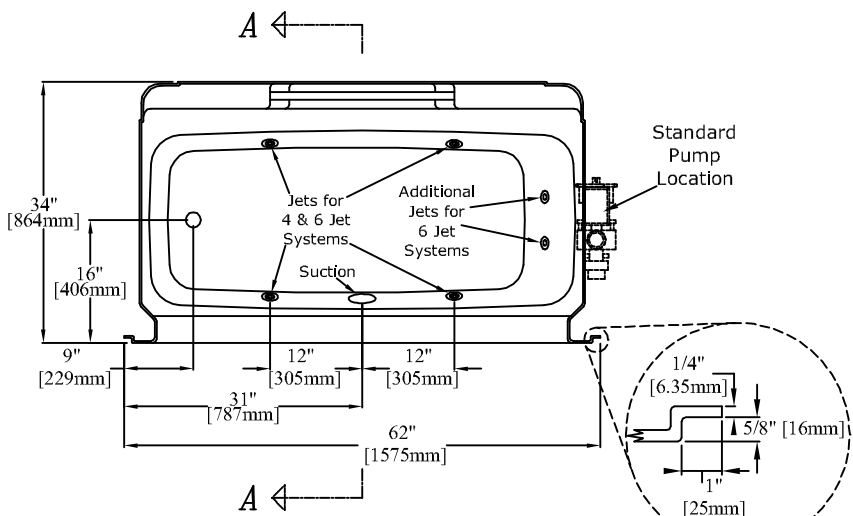


ELEVATION

Close-up view of the nailing flanges on Clarion Bathware acrylic models



SECTION "A-A"



PLAN

Close-up view of the nailing flanges on Clarion Bathware acrylic models

62" [1575mm] Acrylic Tub/Shower

Left Hand Version (AF6034TSLT:4 or AF6034TSRT:6) Shown

PRODUCT SPECIFICATIONS:

- * Product complies with NAHB, HUD UM-73A, and ANSI-Z124.1.
- * When installing this whirlpool, an access area should be provided near the location of the whirlpool pump for future access. An access area is required by many local, state & federal building codes.
- * Recommended access area dimensions: W-20" [508mm] H-15" [381mm]
- * Clarion Bathware acrylic products are thermoformed from continuous cast acrylic sheet into a one piece seamless unit.
- * Wood reinforced & slip resistant floor.
- * Molded shelving with factory installed 1" [25mm] clear acrylic towel bar on back wall of unit.
- * Factory drilled 2 1/2" [64mm] overflow.
- * Door Opening: W-53 1/2" [1359mm] H-58 1/2" [1486mm]
- * Bathwell Dimensions (At Top): W-55 1/2" [1410mm] D-23 1/4" [591mm] H-15 1/2" [394mm]
- * Bathwell Dimensions (At Bottom): W-46 1/2" [1181mm] D-19" [483mm]
- * Bathwell Capacity (At Overflow): 45 Gallons [170L]
- * Water Level (At Overflow): 11" [279mm]
- * The pump will stick out 2" from the rough-indimensions on a 6 jet system.
- * All dimensions +/- 1/4" [6.4mm]
- * Clarion Bathware reserves the right to change design and/or dimensions.

AF6034TSLT:4, AF6034TSRT:4, AF6034TSLT:6 or AF6034TSRT:6

60" [1524mm] Acrylic Tub/Shower with Left or Right Hand Drain and a 4 or 6 Jet Whirlpool Package

Clarion
BATHWARE
44 Amsler Ave.
Shippenville, PA 16254

Phone: (814) 226-5374
Toll Free: (800) 576-9228
Fax: (814) 226-0730
www.clarionbathware.com

Signatures For Approval:

Customer: _____
Arch./Engr: _____
Contractor: _____
Cla. Engr: _____

Date:

Dwg. Name:
AF6034TSLT or
TSRT-4&6JETCUT
Dwg. By: DJC
DATE: 4/1/10