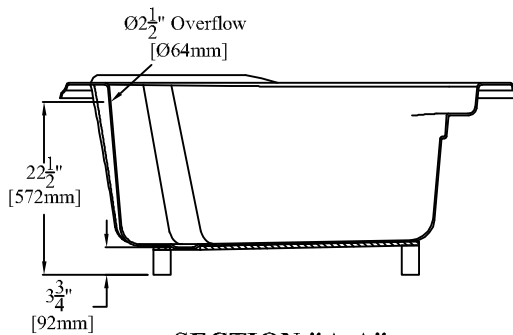
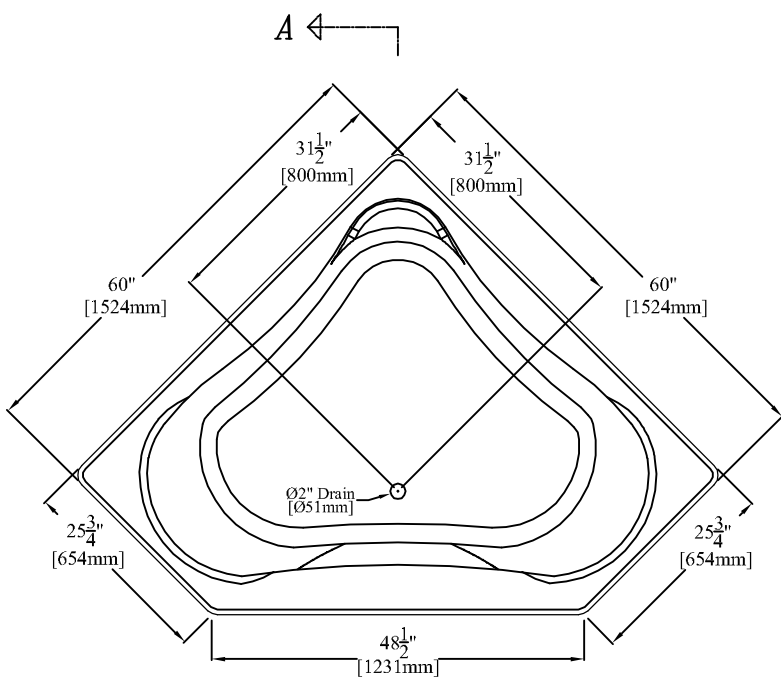


ELEVATION



SECTION "A-A"



PLAN

60" [1524mm] Acrylic Corner Drop-in Bathtub

FRONT CENTER DRAIN

Mystic

PRODUCT SPECIFICATIONS:

- * Product complies with NAHB, HUD UM-73A, and ANSI-Z124.1.
- * Clarion Bathware acrylic products are thermoformed from continuous cast acrylic sheet into a one piece seamless unit.
- * Wood reinforced & slip resistant floor.
- * Integral 2" [51mm] rolled edge for drop-in installation.
- * Factory drilled 2 1/2" [64mm] overflow.
- * Spacious Bathwell with positions for 2 bathers.
- * Bathwell Dimensions (At Top): W-64" [1626mm]
D-43 3/4" [1111mm]
H-20 3/4" [527mm]
- * Bathwell Dimensions (At Bottom): W-48 3/4" [1238mm]
D-39" [990mm]
- * Bathwell Capacity (At Overflow): 110 Gallons [416L]
- * Water Level (At Overflow): 16 1/2" [419mm]
- * This unit is available without an overflow (Model AD6070DSXM).
- * All dimensions +/- 1/4" [6.4mm]
- * Clarion Bathware reserves the right to change design and/or dimensions.

Model AD6070DSX

60" [1524mm] Acrylic Corner Drop-in Bathtub

Clarion
BATHWARE
44 Amsler Ave.
Shipperville, PA 16254

Phone: (814) 226-5374
Toll Free: (800) 576-9228
Fax: (814) 226-0730
www.clarionbathware.com

Signatures For Approval:

Customer: _____
Arch./Engr: _____
Contractor: _____
Cla. Engr: _____

Date:

Dwg. Name:
AD6070DSX
-CUT

Dwg. By: DJC
DATE: 4/1/10