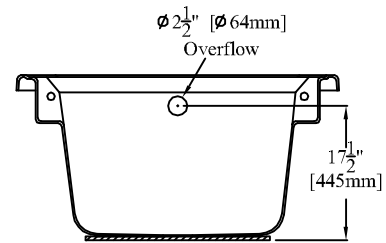
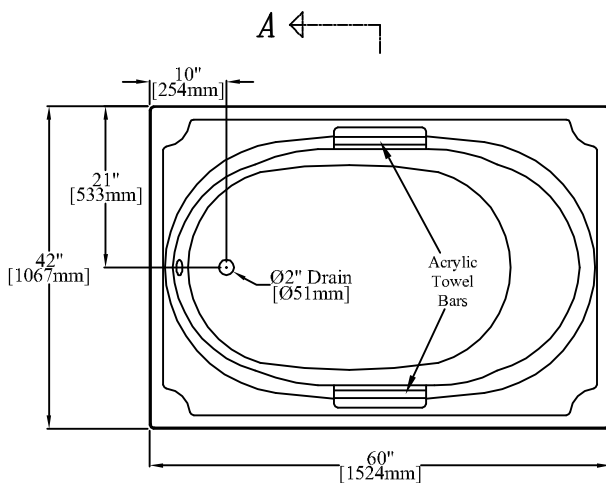


ELEVATION



SECTION "A-A"



A ←

PLAN

*60" [1524mm] Acrylic Drop-in Bathtub
With Dual Clear Acrylic Towel Bars*

Roosevelt

PRODUCT SPECIFICATIONS:

- * Product complies with NAHB, HUD UM-73A, and ANSI-Z124.1.
- * Clarion Bathware acrylic products are thermoformed from continuous cast acrylic sheet into a one piece seamless unit.
- * Wood reinforced & slip resistant floor.
- * Integral 2" [51mm] rolled edge for drop-in installation.
- * Factory drilled 2 1/2" [64mm] overflow.
- * 2 - Installed 1" clear acrylic towel bars.
- * Bathwell Dimensions (At Top): W-50" [1270mm]
D-30 1/2" [775mm]
H-20 1/2" [521mm]
- * Bathwell Dimensions (At Bottom): W-41 1/2" [1054mm]
D-27 1/2" [699mm]
- * Bathwell Capacity (At Overflow): 60 Gallons [227L]
- * Water Level (At Overflow): 15 1/2" [394mm]
- * This unit is available without an overflow (Model AD6042TM).
- * All dimensions +/- 1/4" [6.4mm]
- * Clarion Bathware reserves the right to change design and/or dimensions.

AD6042T

60" Acrylic Drop-in Bathtub

Clarion
BATHWARE
44 Amsler Ave.
Shipperville, PA 16254

Phone: (814) 226-5374
Toll Free: (800) 576-9228
Fax: (814) 226-0730
www.clarionbathware.com

Signatures For Approval:

Customer: _____
Arch./Engr: _____
Contractor: _____
Cla. Engr: _____

Date:

Dwg. Name:
AD6042T-CUT
Dwg. By: DJC
DATE: 4/1/10