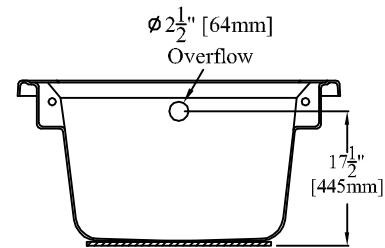
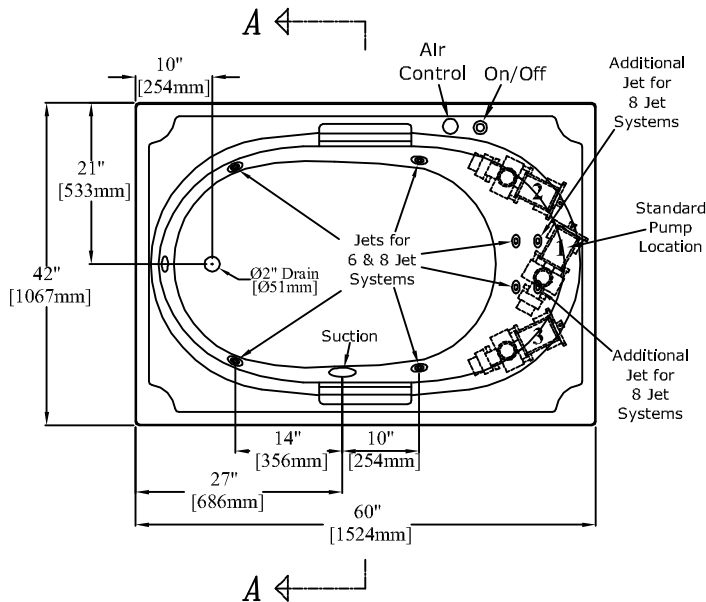


ELEVATION



SECTION "A-A"

*** For clarity, ***
the whirlpool piping
has been omitted
from this drawing



PLAN

60" [1524mm] Acrylic Drop-in Bathtub
With Dual Clear Acrylic Towel Bars
& 6 or 8 Jet Whirlpool Package

Roosevelt

PRODUCT SPECIFICATIONS:

- * Product complies with NAHB, HUD UM-73A, and ANSI-Z124.1.
- * When installing this whirlpool, an access area should be provided near the location of the whirlpool pump for future access. An access area is required by many local, state & federal building codes.
- * Recommended access area dimensions: W-20" [508mm] H-15" [381mm]
- * A separate skirt with a removable access panel is available (Model AP60).
- * Clarion Bathware acrylic products are thermoformed from continuous cast acrylic sheet into a one piece seamless unit.
- * Wood reinforced & slip resistant floor.
- * Integral 2" [51mm] rolled edge for drop-in installation.
- * A tiling flange kit is available (Model TFK-1).
- * Factory drilled 2 1/2" [64mm] overflow.
- * 2 - Installed 1" clear acrylic towel bars.
- * Bathwell Dimensions (At Top): W-50" [1270mm] D-30 1/2" [775mm] H-20 1/2" [521mm]
- * Bathwell Dimensions (At Bottom): W-41 1/2" [1054mm] D-27 1/2" [699mm]
- * Bathwell Capacity (At Overflow): 60 Gallons [227L]
- * Water Level (At Overflow): 15 1/2" [394mm]
- * This unit is available without an overflow (Model AD6042TM:6 or AD6042TM:8).
- * Pump positions labeled 2 & 3 are alternate pump locations that are available.
- * All dimensions +/- 1/4" [6.4mm]
- * Clarion Bathware reserves the right to change design and/or dimensions.

AD6042T:6 or AD6042T:8

60" Acrylic Drop-in Bathtub With 6 or 8 Jet Whirlpool Package

Clarion
BATHWARE
44 Amsler Ave.
Shippenville, PA 16254

Phone: (814) 226-5374
Toll Free: (800) 576-9228
Fax: (814) 226-0730
www.clarionbathware.com

Signatures For Approval:

Customer: _____
Arch./Engr: _____
Contractor: _____
Cla. Engr: _____

Date:

Dwg. Name:
AD6042T
-6&8JETCUT
Dwg. By: DJC
DATE: 4/1/10