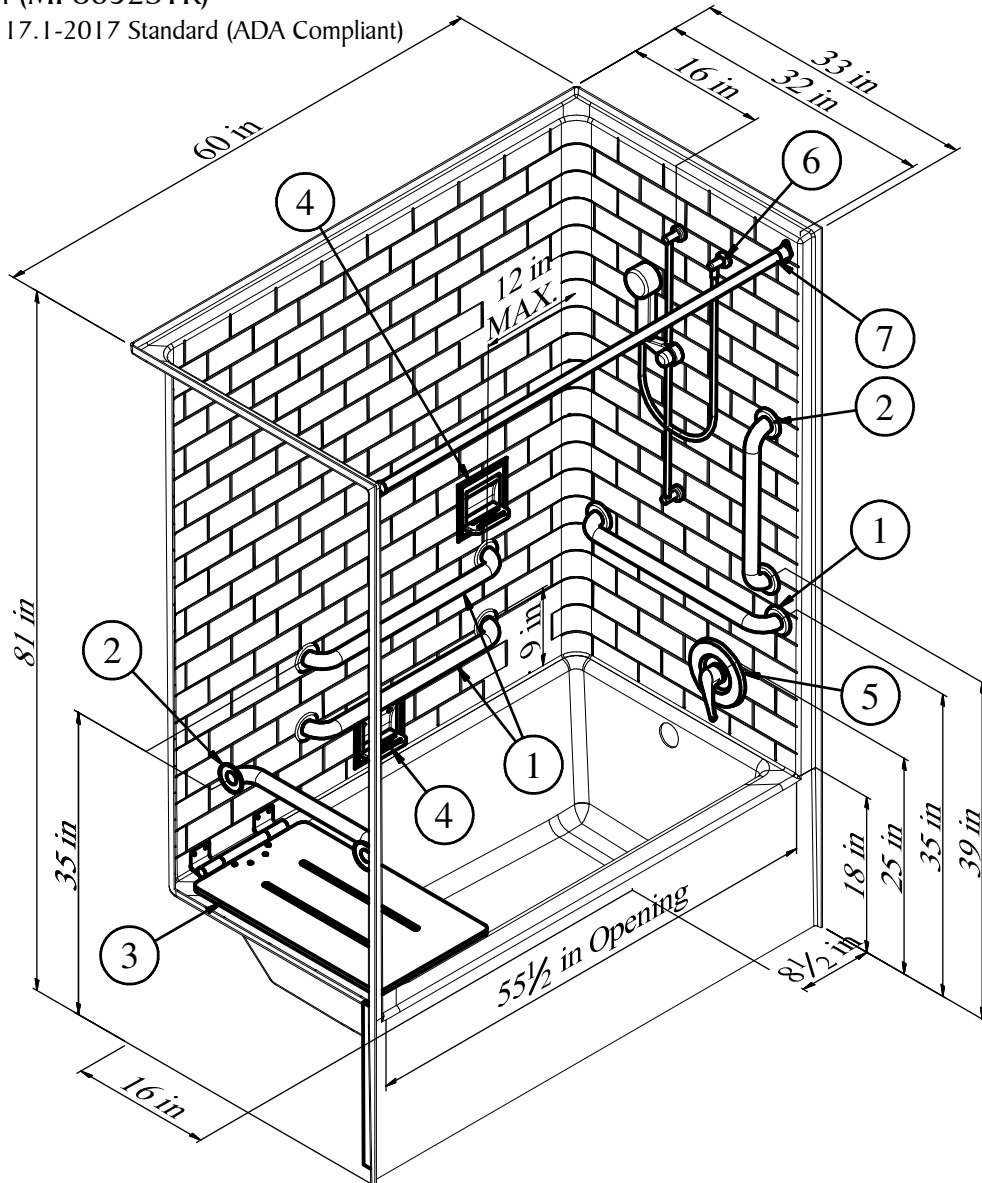


Right Hand Version Shown (MP8032STR)
 Accessorized to meet the ICC A117.1-2017 Standard (ADA Compliant)



MP8032STL or MP8032STR

6032STT - 60" Simulated Subway Tile Tub/Shower w/ 18" Apron & Left or Right Hand Drain

RECOMMENDED ACCESSORIES

- | | |
|---------------------------|-------------------------------|
| 1. #5024 GRAB BAR (QTY 3) | 5. #CH-SSMV-1 MIXING VALVE |
| 2. #5018 GRAB BAR (QTY 2) | 6. #HHS-30CE HAND HELD SHOWER |
| 3. #310-H2 FOLDING SEAT | 7. #CR57 CURTAIN ROD |
| 4. #660 SOAP DISH | 8. PREMIUM SHOWER CURTAIN |

Clarion
 BATHWARE
 44 Amsler Ave.
 Shipperville, PA 16254

Phone: (814) 226-5374
 Toll Free: (800) 576-9228
 Fax: (814) 226-0730
 www.clarionbathware.com

Signatures For Approval:

Customer: _____
 Arch./Engr: _____

Date: _____

Quote #: _____
 Job Name: _____

DWG. #

MP8032STL or STR
 -ISO

Dwg. By:

Date: 2/4/2021

IMPOTANT NOTICE

Clarion bathware reserves the right to change the design and/or dimensions of its products at any time. This drawing may have been updated since this publication was issued. Before placing an order for any product, refer to our website at www.clarionbathware.com to obtain the most current drawings for any products that you wish to purchase. Compare the date of revision of the drawing that you have with the one on the drawing on our website. If you do not have internet access, please call your sales representative or Clarion Bathware's sales department at 1-800-576-9228.