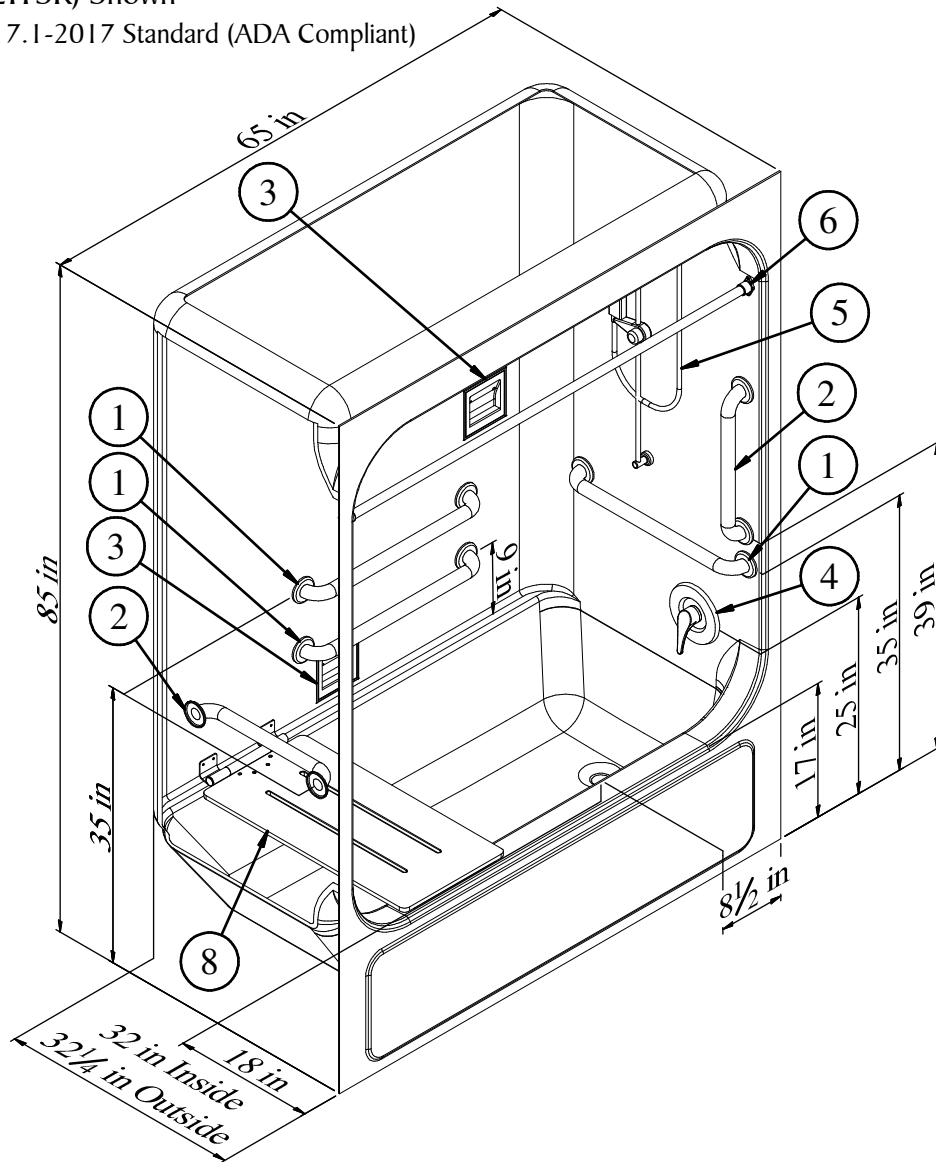


Right Hand Version (AN6032ITSR) Shown

Accessorized to meet the ICC A117.1-2017 Standard (ADA Compliant)

Framing Pocket:
W-65 1/8" [1654mm]
D-33" [838mm]



AN6032ITSL or AN6032ITSR

60"(65" Overall) Tub/Shower w/17" [432mm] Apron & Left or Right Hand Drain

RECOMMENDED ACCESSORIES

- | | |
|----------------------------|-------------------------------|
| 1. #5024 GRAB BAR (QTY 3) | 5. #HHS-30CE HAND HELD SHOWER |
| 2. #5018 GRAB BAR (QTY 2) | 6. #CR-60 CURTAIN ROD |
| 3. #660 SOAP DISH (QTY 2) | 7. CURTAIN (NOT SHOWN) |
| 4. #CH-SSMV-1 MIXING VALVE | 8. FOLDING SEAT |

Clarion
BATHWARE
44 Amsler Ave.
Shippenville, PA 16254

Phone: (814) 226-5374
Toll Free: (800) 576-9228
Fax: (814) 226-0730
www.clarionbathware.com

Signatures For Approval:

Customer: _____
Arch./Engr: _____

Date: _____

Quote #: _____
Job Name: _____

DWG. #

AN6032ITSL or R-ISO

Dwg. By: NMH

Date: 11/8/2018

IMPOTANT NOTICE

Clarion bathware reserves the right to change the design and/or dimensions of its products at any time. This drawing may have been updated since this publication was issued. Before placing an order for any product, refer to our website at www.clarionbathware.com to obtain the most current drawings for any products that you wish to purchase. Compare the date of revision of the drawing that you have with the one on the drawing on our website. If you do not have internet access, please call your sales representative or Clarion Bathware's sales department at 1-800-576-9228.