

**Clarion’s Independence Line 36” Transfer Shower Compliance Change**

Please note the following changes to the **Clarion 36” transfer showers** implemented during our latest price book update.

While previously accepted as compliant, we have seen a recent shift in interpretation of 36” models equipped with straight flanges as exceeding the acceptable interior dimension after installation and finishing of walls.

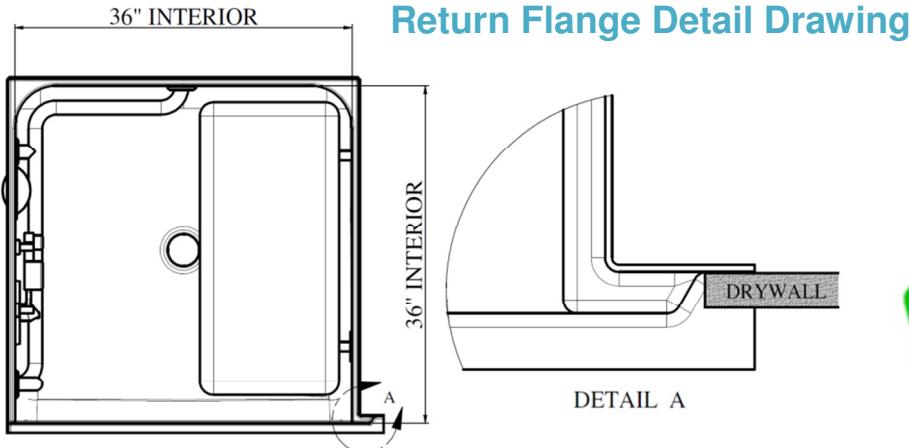
Clarion has proactively chosen to implement a return flange which allows the drywall to be installed perpendicular to the face of the unit. This allows for an absolute finished inside dimension of 36” x 36” including compartment entry. This change will affect all of the following Clarion models and **will not** carry the ADA/ANSI compliant certification:

- MP/IN - 3837BF34 L & R
- MP/IN - 3837BF L & R
- MP/IN - 8940BF34 L & R
- MP/IN - 3940BF34CD L & R
- MP/IN - 3940KD34CD L & R

**New ADA / ANSI Compliant Units**

Our new ADA/ANSI compliant transfer showers, listed below, will include an “F” in the prefix of the part number. This indicates it has a return flange and is predominately on the seat wall of each shower. It can also be provided on both walls if needed (see **Return Flange Detail Drawing**).

- **MF3837BF34CD** L & R - center drain shower, left or right return flange - Available 1/4/19
- **MF3837DBF34CD** - Center drain shower, both left and right return flanges - Available 1/4/19
- **MF3837BF34** L & R - rear drain shower, left or right return flange (formerly MP3837BF34) w/ return flange added. - Available 2/1/19
- **MF3940KD34CD** L & R - multi-piece center drain shower, left or right return flange (formerly MP3940KD34CD) w/ return flange added - Available 2/15/19
- **MF8841BF34** L & R - center drain shower, left or right return flange (formerly MP8841BF34/MP8842BF34) - Available 1/4/19



The new return flange units use approximately the same pocket size and floor space. The difference is a flange that wraps around the front on one side or both as depicted in **DETAIL A** above. Finishing the flange will be easier.

**See the promotional ad for return flange on next page.**



## NEW RETURN FLANGE DESIGN!

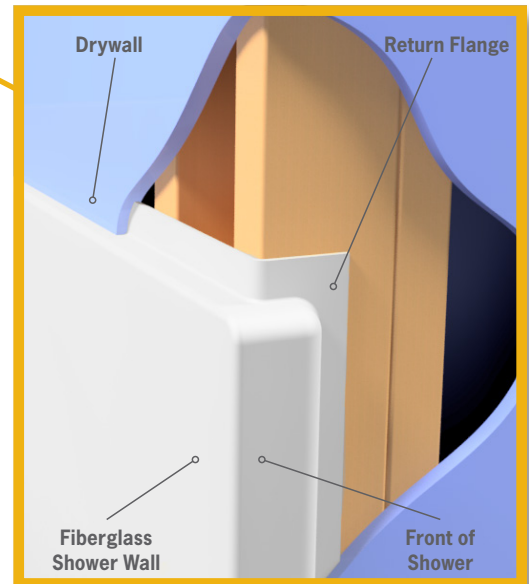
# BEST ADA SHOWER FLANGE DESIGN

IT DOESN'T GET ANY BETTER !



### SIDE RETURN FLANGE

- Clean look
- Simplifies installation
- Saves install and finish time \$
- Meets all ADA Compartment Entry Specifications



### INSTALLATION EXAMPLE

IT'S A GREAT IDEA!

Available in

- right hand
- left hand
- double return

### SIDE RETURN FLANGE

Return flange on the seat wall makes compliance with **ADA & ICC A117.1-2017** transfer shower code a snap! Just install per the instructions and the folding transfer shower seats will be within 3" of the shower compartment opening per code. Return Flange units provide a great finished fiberglass solution for compartment entry, establishing absolute compliance for these shower units, eliminating construction errors for this issue.

**\*Ask your dealer or one of our sales consultants for more information**