

RE8802L or RE8802R

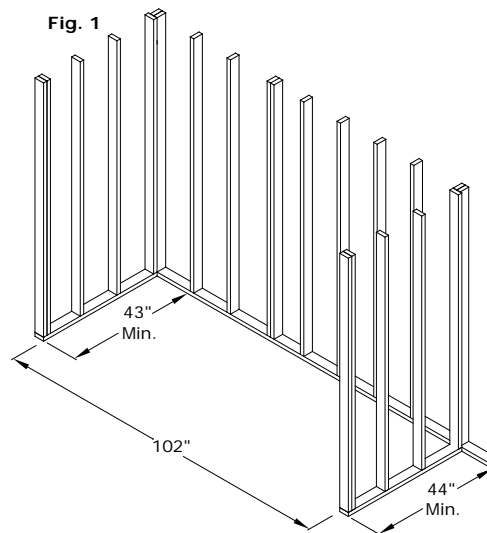
“SAVANNAH”

INSTALLATION



Rev. #: 6/18/2020

1. Please consult all local and state building codes, and read the entire installation instructions prior to beginning the installation of this unit to ensure that the installation is performed correctly.
2. Construct a framed pocket that is square and plumb in accordance with rough-in dimensions. (*See Figure 1 Below*) The floor of the pocket must be perfectly flat and level. If you have ordered this product with a whirlpool system installed in the tub, future access to the pump and parts should be considered when installing the unit. It is advised that an access area be incorporated into the framing near the location of the whirlpool pump.

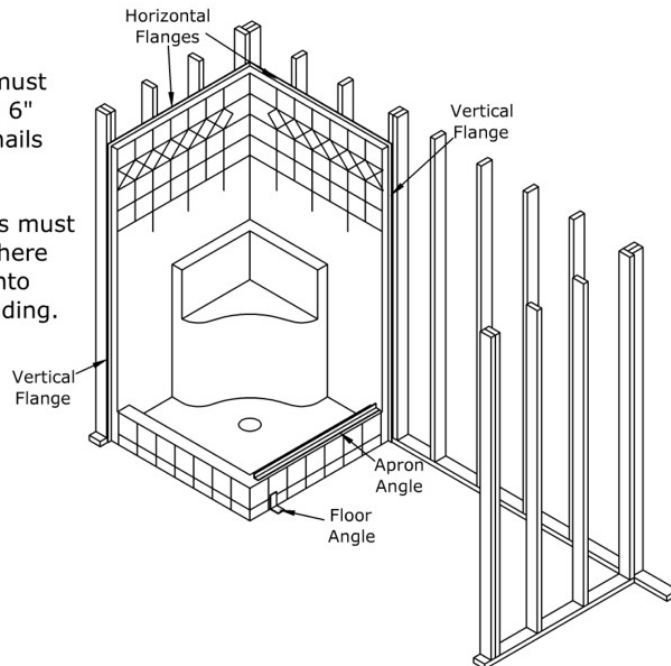


3. Place the shower section of the unit in the framed pocket. Plumb and level the unit. Shims may be placed under the leveling legs to make the unit plumb and level. Make sure that there are no gaps between the floor and the threshold of the unit. **** PLEASE NOTE: The shower section of this unit must be perfectly plumb and level, otherwise you may have troubles when you install the door for this unit. If the shower section is not installed properly, Clarion Bathware is not responsible for problems you may incur when installing the door for this unit****
4. Remove the unit from the framing. Mark and layout holes for the plumbing fixtures by marking the centers of any hole locations. Be sure to drill these holes from the finish side of the unit. Drill holes with a sharp spade bit, hole saw, or use a saber saw with a plastic or metal cutting blade for larger holes.
5. Install all plumbing fixtures for the unit, making sure not to over tighten them. Check the drain and make sure that it is sealed properly and not leaking. Clarion Bathware's Products are designed to be self-supporting. The floors of our products are lab certified to withstand a point load of 300 pounds to ensure a quality product. In cases where any occupant of the home meets or exceeds 300 pounds in weight, we recommend that the unit be installed on a bedding material of cement or casting plaster. Use of a bedding material is required if the unit is being installed in a high use facility. (ie: dormitory, locker room, nursing home, motel, hotel, etc.) For standard installations, the use of a bedding material is optional and done at the discretion of the customer. If a bedding material is used, be sure to place a moisture barrier, such as plastic, between the bedding compound and the unit. Clarion recommends using Gypsolite® or Structo-lite® plasters for a bedding material.
6. Before the bedding material cures, place the unit in the framing pocket and make sure that it is still plumb and level. This can be done by placing a level on the top back ledge of the unit, and checking for plumb on the front posts of the unit. When the unit is plumb and level, secure the unit to the framing with screws. Secure the vertical flanges every 6" or as necessary to keep the flanges flush to the studding. Secure the horizontal flanges wherever they come into contact with the studding. (*See Figure 2 below.*)

Fig. 2

Vertical flanges must be secured every 6" with galvanized nails or screws.

Horizontal flanges must be secured anywhere that they come into contact with studding.



7. At this point, you must secure the apron to the floor using the provided floor angle. While keeping the angle flush with the apron, attach it to the floor using the provided screws. If the unit is installed on a concrete floor, attach the angle to the floor using a concrete nail. If there is a gap between the bottom of the apron and the floor that it is sitting on, stand on the front of the apron so the gap disappears and secure the apron to the floor angle using the supplied screw. (*See Figure 2 above*)
8. Once the shower has been secured to the studding, it is time to install the tub section of the product. Carefully slide the tub into its position beside the shower. The short apron of the unit will rest on the threshold of the shower section, in front of the factory installed apron angle. This apron has been precisely cut at the factory to mate up with the shower. However due to differences in floors, shimming may be necessary to level the tub in its position. One indication that leveling needs to be performed is if the short apron of the tub section appears to be curling in the area where it meets the wall of the shower or there is an uneven gap between the bottom of the short apron and the dam of the shower.
9. After the tub section is level, remove it from its position. Using silicone caulking lay down a bead along the entire length of the side of the apron angle that faces the inside of the shower.
10. Reinsert the tub section into its position beside the shower. Verify again that the tub section is level. . Once you have finished inspecting the tub section, secure it to the studding with screws. Secure the vertical flanges every 6" or as necessary to keep the flanges flush to the studding. Secure the horizontal flanges wherever they come into contact with the studding.
11. After the shower and bathtub sections are secured to the studding, it is time to finish the connection between the two. Apply a bead of silicone caulking on the edge of the bathtub section where it meets up with the shower. Start at the back wall of the shower and continue the whole way along the edge to the floor that the units are sitting on. **** Note: You must use silicone caulking for this step, not latex caulking. ****
12. You can finish off your new tub with a variety of materials. (tile, drywall caulking, drywall mud, plaster, wood or plastic trim).
13. Clean your new tub with a liquid detergent and warm water. Do not use any abrasive cleaners such as scouring powder, or liquid abrasive cleaners.

IF A BEDDING MATERIAL IS USED UNDER A UNIT; CEMENT SLURRY, THIN MORTAR MIX, PLASTER OF PARIS, OR A COMPARABLE FLOOR FILLING COMPOUND THAT IS NOT WATER SOLUBLE ARE PROPER BEDDING COMPOUNDS. WATER SOLUBLE MATERIALS, FOAM AND OTHER EXPANDING MATERIALS ARE NEVER TO BE USED AS A BEDDING COMPOUND.

NOTE: ANY BATHING WELL CAN BE WHIRLPOOLED. IT IS IMPORTANT TO DETERMINE WHERE YOU WILL HAVE ACCESS TO THE PUMP IF IT NEEDS SERVICED IN THE FUTURE. ACCESS TO THE WHIRLPOOL PUMP AND PARTS SHOULD BE CONSIDERED PRIOR TO PURCHASING AND/OR INSTALLING A WHIRLPOOLED UNIT. AN ACCESS AREA ON WHIRLPOOLS IS REQUIRED BY MANY BUILDING CODES. ALL WHIRLPOOLS MUST BE WATER TESTED PRIOR TO BEING INSTALLED. FAILURE TO WATER TEST CAN VOID THE WARRANTY.

IF YOU HAVE ANY QUESTIONS REGARDING INSTALLATION OF YOUR CLARION BATHWARE PRODUCT, PLEASE CALL OUR CUSTOMER SERVICE DEPARTMENT AT 1 (800) 576-9228 EXT. #818 OR BY E-MAIL AT CUSTOMERSERVICE@CLARIONBATHWARE.COM

JOB SITE INSTALLATION OF OWNER SUPPLIED ACCESSORIES

All Clarion Bathware units purchased with supplied grab bars are custom reinforced at the factory to accommodate the mounting of said bars.

Any grab bars installed on a Clarion Bathware unit at the job site must have proper reinforcement (wood support and backing plates) at all mounting areas and should comply with ANSI A117.1, Uniform Federal Accessibility Standards (UFAS) and ASTM F446 specifications for grab bars in the bathing area.

Job-site installation of third party supplied grab bars is entirely at the risk and full responsibility of the owner. Any damage to Clarion Bathware units or the property during or after grab bar installation, or any injuries due to improper installation remain the sole responsibility of said owner and cannot be attributed to Clarion Bathware, Inc.

*****WE SUGGEST THAT THE CUSTOMER AVOIDS USING A BATH MAT IN THE UNIT, AS IT COULD CAUSE WATER STAINS OR BLISTERING TO THE FINISH SURFACE OF THE UNIT.**

CLARION BATHWARE PRODUCTS ARE CERTIFIED TO MEET NAHB STANDARDS, HUD/FHA, BOCA, HUD UM-73A, ANSI Z124.1 AND ANSI Z124.2. FOR DETAILS, REQUEST NAHB RESEARCH CENTER CONFIRMATION.



**44 Amsler Avenue Shippenville, PA 16254
(814) 226-5374 (800) 576-9228
Customer Service: Ext. #818
Fax: (814) 226-0730
www.clarionbathware.com**