

ACRYLIC ¾" BARRIER FREE SHOWER INSTALLATION



Rev. #: 2/2/09

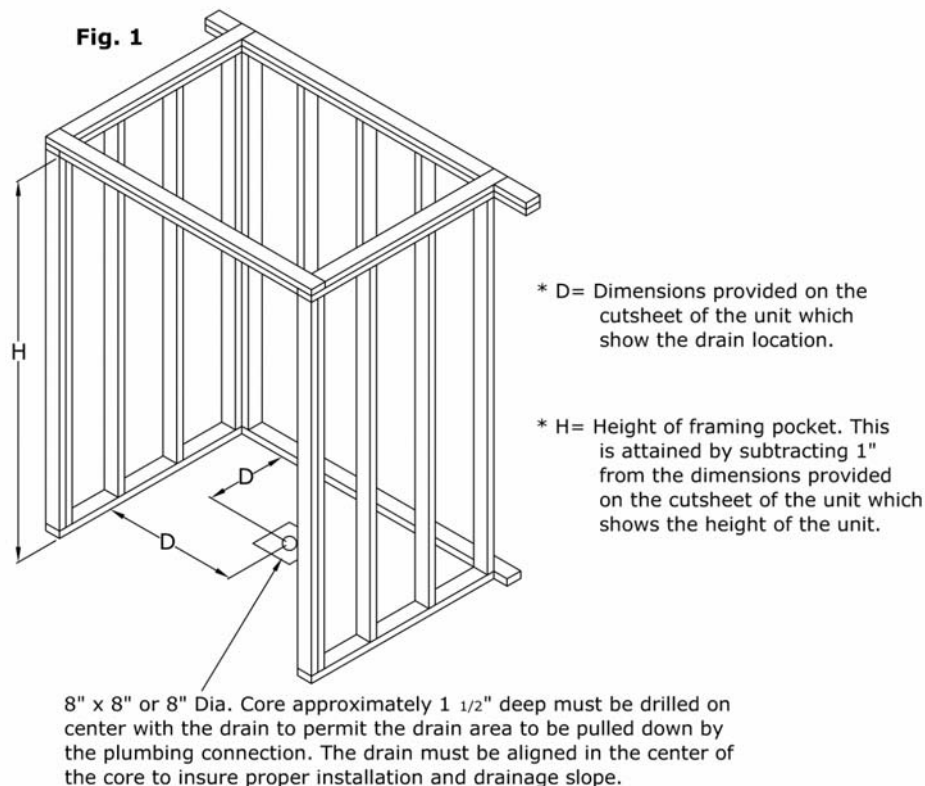
Key Points to remember during installation

1. The subfloor must be 100% flat, level and free from obstructions of any kind.
2. When installed, the drain of the shower and the piping must be centered on the core or box out prepared in the subfloor. Check to make sure that the core is drilled deep enough (At least 2 ¼") for the drain fitting that you are using, and that nothing will prevent it from allowing the floor of the unit to rest on the subfloor as designed. Please note that the drain pocket of this shower will protrude below the subfloor as shown in Figure 2 on the next page.
3. In buildings with a poured in place floor, make sure that there is no lip at the edge of the drain box out area.
4. If installing the drain fitting prior to installation of the shower, precautions must be taken to keep the shower from resting on the drain fitting. Failure to do this may cause warping or cracking of the shower floor.
5. When plumbing, there should be no fittings installed on the drain pipe within 2 ½" of the top of the subfloor. This will interfere with the drain fitting and cause the floor of the unit not to rest on the subfloor as designed.

WARNING: FAILURE TO FOLLOW THESE INSTALLATION INSTRUCTIONS COULD VOID THIS PRODUCTS WARRANTY. The ¾" threshold is a very sensitive unit to properly install. It is very important that the procedures are followed exactly during the installation process to create the ideal barrier free access area. A licensed plumber is required to install or supervise the installation of these units. These units are thoroughly tested in the plant to ensure their ability to drain water. Failure to follow these handling and installation instructions may cause improper drainage, thus voiding the unit's warranty.

1. Clarion Bathware ¾" units are to be stored in a dry area prior to installation to prevent moisture from attacking the reinforcement material which could cause warpage to the unit. Additionally, the units cannot be stored in a manner where the bottom of the unit and the drain are forced upward.
2. Construct a framed pocket that is square and plumb in accordance with rough-in dimensions. (*See Figure 1 on the next page*) The floor of the pocket must be perfectly flat and level. Please consult all local and state building codes for proper installation. Remove all factory-shipping braces. On the bottom of the back wall there is a piece of OSB board for shipping purposes. This needs to be cut down so that it will not interfere with leveling the shower stall properly. To do this, set a circular saw to cut a 7/16" deep cut. Cut the OSB that extends past the bottom of the unit. Use caution when cutting, there are wood blocks that are secured with metal staples on the inside edge of the board. ***This board cannot be removed until the unit is ready to be installed. Removal of the board before installation may void the warranty.***
3. Mark and layout holes for the plumbing fixtures by marking the centers of the holes. Be sure to drill these holes from the finish side of the shower unit. Drill smaller holes with a sharp spade bit or hole saw. For larger holes use a saber saw with a plastic or metal cutting blade.

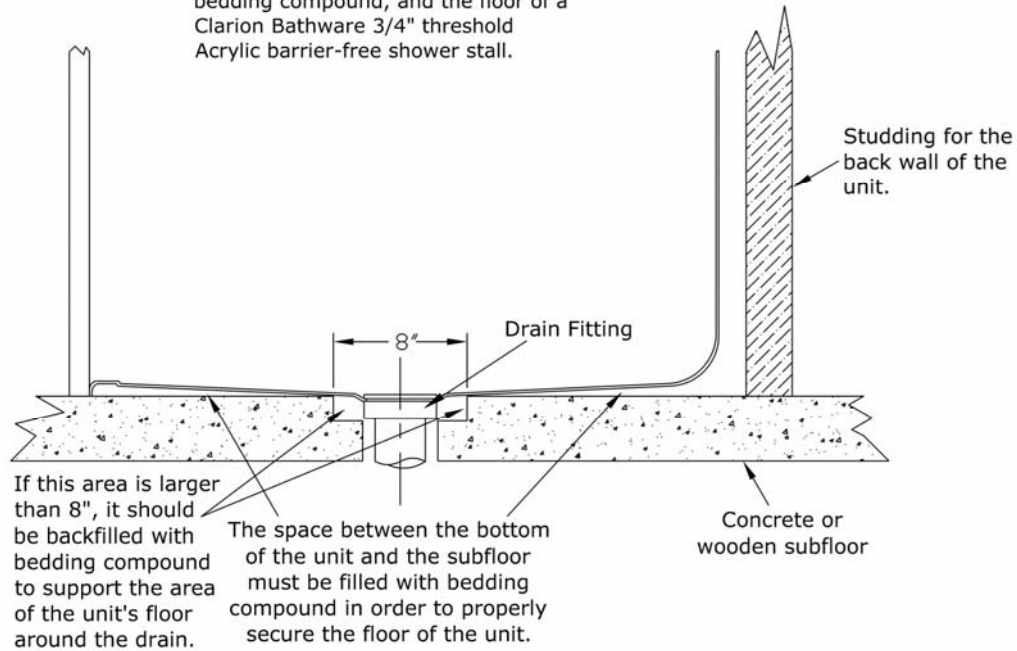
4. Install all plumbing fixtures, making sure not to over tighten them. Check the drain and make sure that it is sealed properly. (remember to take precautions to keep the shower from resting on the drain fitting)
5. We strongly recommend that a larger core hole be drilled an inch or more deep into the floor to permit the drain area to be pulled down by the plumbing connection. Depending upon the core opening in the cement slab, the installer may find it necessary to core a larger opening permitting the shower drain to penetrate down into the cement opening. An 8" core approximately 1 1/2" deep followed by the standard core drill may be desirable. If the core cut is more than 8"x8" or 8" diameter, we recommend back filling the core cut, sloping the fill to the drain. This will assure that the area of the floor around the drain receives proper support. *(See Figure 1 below and Figure 2 on the top of the next page.)*
6. Set the unit into the pocket and plumb and level it. First, plumb the unit by placing a level on the front posts and then level across the dam of the unit. If the threshold of the unit appears to be bowed or warped in any way, before proceeding with the installation. In this case, you will need to predrill holes through the threshold in several areas to allow for stainless steel screws to hold the threshold level with the subfloor. These screws must be countersunk and covered over with a non-water soluble filling material. Please contact Clarion Bathware at 1-800-576-9228 ext. 818 if you have any problems or questions about this procedure. Use a 2' level on the floor of the shower to check that proper slope can be achieved. Also inspect that there are no dips, humps, or other restrictions in the floor which will prevent proper water drainage. If there are any obstructions, you will need to chisel or cut the concrete out to create a surface that allows for proper slope to the drain.



**** If the core cut is more than 8"x8" or 8" diameter we recommend back filling the core cut, sloping the fill to the drain.**

Fig. 2

Below is a cross-section view of the subfloor, bedding compound, and the floor of a Clarion Bathware 3/4" threshold Acrylic barrier-free shower stall.

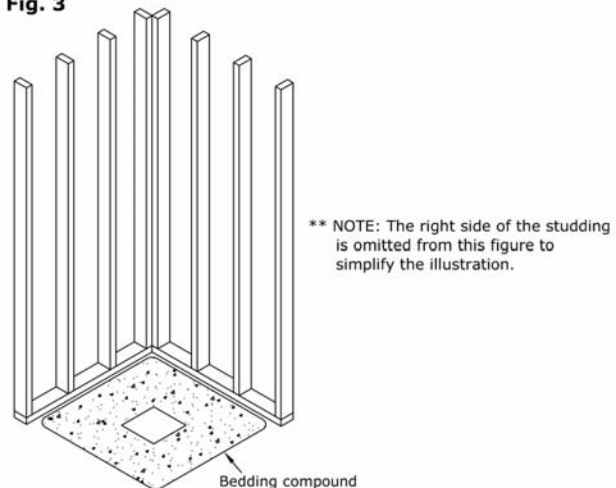


7. Prepare a bedding compound for the unit to be set on. (See Figure 3 to the right.) A proper bedding compound would be cement slurry, thin mortar mix, plaster of paris, or a comparable floor filling compound that is not water soluble.

***** All Clarion Bathware 3/4" barrier free showers must be set in a bedding material. FOAM SHOULD NEVER BE USED AS A BEDDING MATERIAL FOR 3/4" BARRIER FREE SHOWERS. *****

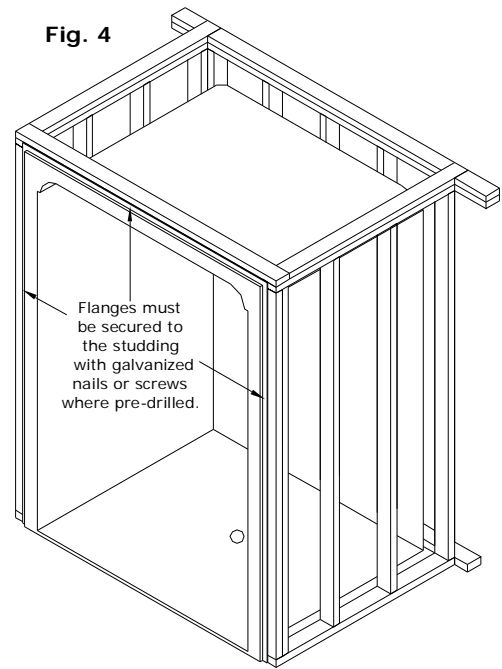
Set the unit in the bedding compound, check the floor for high spots that could restrict the water drainage and correct them. After the unit has been placed on the bedding compound, use a 2' level to check that proper slope has been achieved, and to assure that there are no dips, humps, or other restrictions in the floor which will prevent proper water drainage. If any obstructions are found, they must be fixed before going further in the installation.

Fig. 3



8. Before nailing or screwing the flanges, and before the bedding material cures, verify that the unit is still plumb and level. As before, first check for plumb on the front posts and then check for level across the dam of the unit. When the unit is plumb and level, and the slope to the drain is assured, secure the flanges with galvanized nails or screws through the predrilled holes provided on the flanges. (See Figure 4 on the next page) Please note that on acrylic products, the horizontal flanges of acrylic units must be secured to the studding to ensure a proper installation.

9. A floor-leveling agent can be used to smooth the transition between the shower unit and the floor. A smooth transition between the shower unit and the floor is a requirement for ADA compliance. We recommend Feather Finish for all vinyl applications or grout for tile installations.
10. You can finish off your new shower with a variety of materials. (tile, drywall, drywall mud, plaster, wood, or plastic trim)
11. Clean your new shower with a mild liquid detergent and warm water. Do not use any abrasive cleaners such as scouring powder, or liquid abrasive cleaners.



CEMENT SLURRY, THIN MORTAR MIX, PLASTER OF PARIS, OR A COMPARABLE FLOOR FILLING COMPOUND THAT IS NOT WATER SOLUBLE ARE PROPER BEDDING COMPOUNDS TO BE USED UNDER BARRIER FREE SHOWERS. WATER SOLUBLE MATERIALS, FOAM AND OTHER EXPANDING MATERIALS ARE NEVER TO BE USED AS A BEDDING COMPOUND.

IF THERE ARE ANY QUESTIONS CONCERNING INSTALLATION OF THIS PRODUCT, WE URGE THAT THE INSTALLER CONTACT CLARION BATHWARE'S CUSTOMER SERVICE DEPARTMENT AT (800) 576-9228 EXT. #818.

JOB SITE INSTALLATION OF OWNER SUPPLIED ACCESSORIES

All Clarion Bathware units purchased with supplied grab bars are custom reinforced at the factory to accommodate the mounting of said bars.

Any grab bars installed on a Clarion Bathware unit after it has left the manufacturing facility must have proper reinforcement (wood support and backing plates) at all mounting areas and should comply with ANSI A117.1, Uniform Federal Accessibility Standards (UFAS) and ASTM F446 specifications for grab bars in the bathing area.

Job-site installation of third party supplied grab bars is entirely at the risk and full responsibility of the owner. Any damage to Clarion Bathware units or the property during or after grab bar installation, or any injuries due to improper installation remain the sole responsibility of said owner and cannot be attributed to Clarion Bathware, Inc.

*****WE SUGGEST THAT THE CUSTOMER AVOIDS LEAVING A BATH MAT IN THE UNIT. AS IT COULD CAUSE WATER STAINS OR BLISTERING TO THE FINISH SURFACE OF THE UNIT.**

CLARION BATHWARE PRODUCTS ARE CERTIFIED TO MEET NAHB STANDARDS, HUD/FHA, BOCA, HUD UM-73A, ANSI Z124.1, AND ANSI Z124.2. FOR DETAILS, REQUEST NAHB RESEARCH CENTER CONFIRMATION.



44 Amsler Avenue Shippenville, PA 16254
(814) 226-5374 (800) 576-9228
Customer Service: Ext. #818
Fax: (814) 226-0730
www.clarionbathware.com