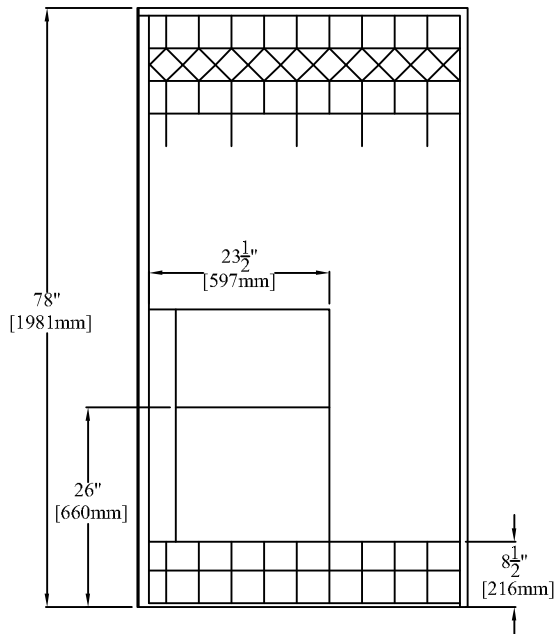
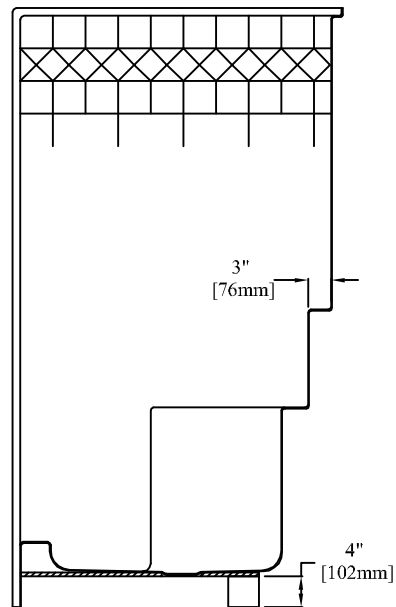


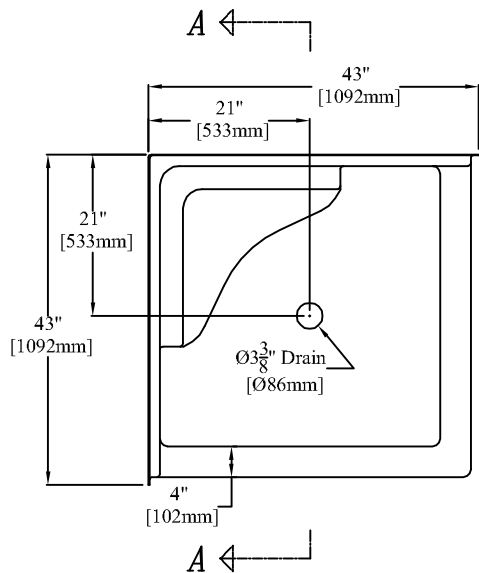
Clarion Bathware



ELEVATION



SECTION "A-A"



PLAN

43" [1092mm] 1-Piece Corner Shower With Seat

PRODUCT SPECIFICATIONS:

- * Product complies with NAHB, HUD UM-73A, and ANSI-Z124.2.
- * Simulated tiling with ribbon design.
- * Reinforced & slip resistant floor.
- * Integral 1" [25mm] nailing flange.
- * Molded seat & soap ledges.
- * Door Opening (At Centerline):
38 1/2" x 38 1/2" x 68" High
- * All dimensions +/- 1/4" [6.4mm]
- * Clarion Bathware reserves the right to change design and/or dimensions.
- * Dimensions are the same for RE, RS, MP, CU and all other versions of this model.

Model 8843

43" [1092mm] 1-Piece Corner Shower with 8 1/2" [216mm] Threshold, Molded Soap Ledges and Seat

Clarion
BATHWARE
44 Amsler Ave.
Shippenville, PA 16254

Phone: (814) 226-5374
Toll Free: (800) 576-9228
Fax: (814) 226-0730
www.clarionbathware.com

Signatures For Approval:

Customer: _____
Arch./Engr: _____
Contractor: _____
Cla. Engr: _____

Date:

Dwg. Name:
8843-CUT

Dwg. By: DJC
DATE: 10/27/08