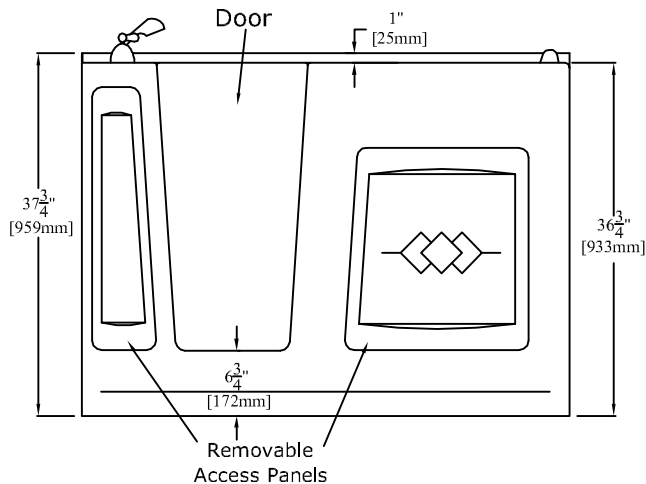
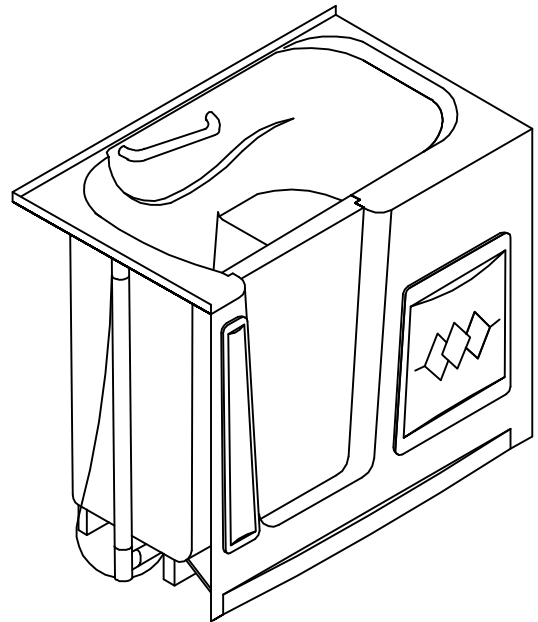


Clarion Bathware

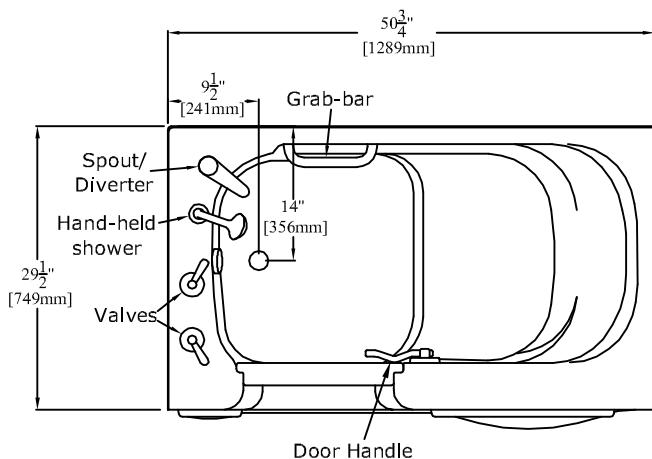


ELEVATION



PRODUCT SPECIFICATIONS:

- * Product complies with NAHB, HUD UM-73A, and ANSI-Z124.1.
- * Walk-in style bathtub with a door.
- * Available with a left or right hand drain.
- * Factory supplied, easy to install overflow and drain assembly.
- * Pre-plumbed hand-held shower, bathtub spout/diverter and water valves.
- * Supplied with 2 removable access panels.
- * 1" [25mm] nailing flange.
- * Wood reinforced & slip resistant floor.
- * Bathwell Dimensions (At top):
 - W-43 1/4" [1099mm]
 - D-22 1/2" [572mm]
 - H-33" [838mm]
- * Bathwell Dimensions (Bottom):
 - W-20 3/4" [527mm]
 - D-20" [508mm]
- * Bathwell Capacity (At Overflow):
 - 73 Gallons [276L]
- * All dimensions +/- 1/4" [6.4mm]
- * Clarion Bathware reserves the right to change design and/or dimensions.
- * Dimensions are the same for RE, RS, MP, CU and all other versions of this model.



PLAN

50 3/4" [1289mm] x 29 1/2" [749mm] Walk-in Bathtub With a Door

Left Hand Version (WT5130LS) Shown

WT5130LS or WT5130RS

50 3/4" [1289mm] x 29 1/2" [749mm] Walk-in Bathtub with a Door

Clarion
BATHWARE
44 Amsler Ave.
Shippenville, PA 16254

Phone: (814) 226-5374
Toll Free: (800) 576-9228
Fax: (814) 226-0730
www.clarionbathware.com

Signatures For Approval:

Customer: _____
Arch./Engr: _____
Contractor: _____
Cla. Engr: _____

Date:

Dwg. Name:
WT5130LSor
WT5130RS-CUT

Dwg. By: DJC
DATE: 5/14/09