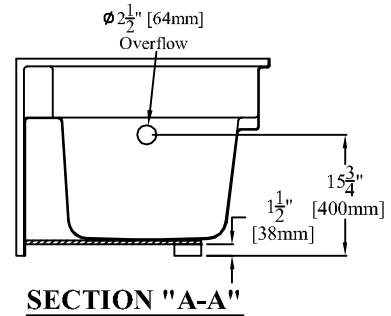
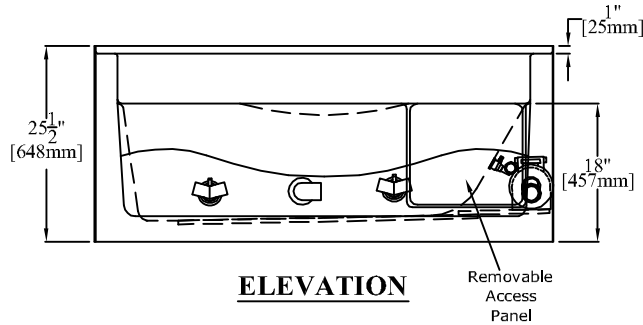
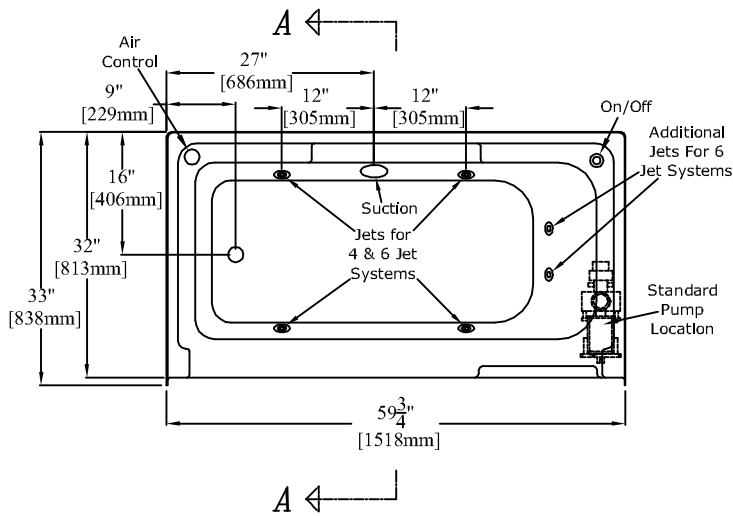


# Clarion Bathware



\*\*\* For clarity, \*\*\*  
the whirlpool piping  
has been omitted  
from this drawing



59 3/4" [1518mm] Bathtub  
With Removable Access Panel  
& 4 or 6 Jet Whirlpool Package

Left Hand Version (RE6032LBA:4 or RE6032LBA:6) Shown

## PRODUCT SPECIFICATIONS:

- \* Product complies with NAHB, HUD UM-73A, and ANSI-Z124.1.
- \* Wood reinforced & slip resistant floor.
- \* Removable access panel.
- \* Integral 1" [25mm] nailing flange.
- \* Factory drilled 2 1/2" [64mm] overflow.
- \* Bathwell Dimensions (At Top): W-52 1/2" [1334mm]  
D-23" [584mm]  
H-16 1/4" [413mm]
- \* Bathwell Dimensions (At Bottom): W-42" [1067mm]  
D-18 3/4" [476mm]
- \* Bathwell Capacity (At Overflow): 45 Gallons [170L]
- \* Water Level (At Overflow): 12 3/4" [324mm]
- \* This unit is available without an overflow.
- (Model RE6032LBAM:4, RE6032LBAM:6, RE6032RBAM:4 or RE6032RBAM:6).
- \* This unit is available without a removable access panel.
- (Model RE6032LB:4, RE6032LB:6, RE6032RB:4 or RE6032RB:6)
- \* All dimensions +/- 1/4" [6.4mm]
- \* Clarion Bathware reserves the right to change design and/or dimensions.
- \* Dimensions are the same for RE, RS, MP, CU, and all other versions of this model.

## Model RE6032LBA:4, RE6032LBA:6, RE6032RBA:4 or RE6032RBA:6

59 3/4" [1518mm] Bathtub with Left or Right Hand Drain, Removable Access Panel & 4 or 6 Jet Whirlpool Package

**Clarion**  
BATHWARE  
44 Amsler Ave.  
Shippenville, PA 16254

Phone: (814) 226-5374  
Toll Free: (800) 576-9228  
Fax: (814) 226-0730  
www.clarionbathware.com

Signatures For Approval:

Customer: \_\_\_\_\_  
Arch./Engr: \_\_\_\_\_  
Contractor: \_\_\_\_\_  
Cla. Engr: \_\_\_\_\_

Date:

\_\_\_\_\_  
\_\_\_\_\_  
\_\_\_\_\_  
\_\_\_\_\_

Dwg. Name:  
RE6032LBAorRE6032RBA  
-4&6JETCUT

Dwg. By: DJC  
DATE: 6/16/08