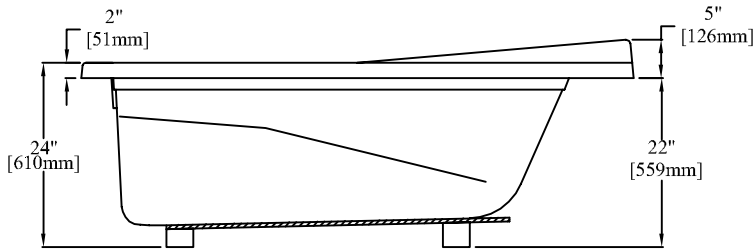
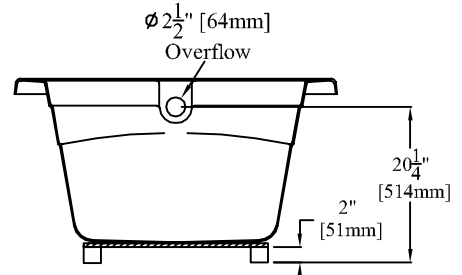


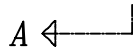
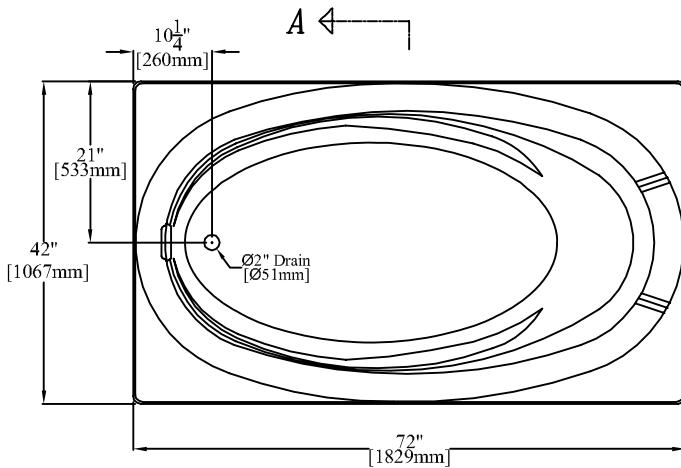
Clarion Bathware



ELEVATION



SECTION "A-A"



PLAN

72" [1829mm] Drop-in Bathtub
With 8 or 10 Jet Whirlpool Package

Allegheny

PRODUCT SPECIFICATIONS:

- * Product complies with NAHB, HUD UM-73A, and ANSI-Z124.1.
- * Wood reinforced & slip resistant floor.
- * Integral rolled edge for drop-in installation.
- * Bathwell Dimensions (At Top): W-65" [1651mm]
D-34 1/2" [1111mm]
H-21" [533mm]
- * Bathwell Dimensions (At Bottom): W-48 1/2" [1232mm]
D-24 1/2" [622mm]
- * Bathwell Capacity (At Overflow): 104 Gal. [394L]
- * Water Level (At Overflow): 16" [406mm]
- * Factory drilled 2 1/2" [64mm] overflow.
- * Spacious bathwell with molded arm rests and lumbar support.
- * All dimensions +/- 1/4" [6.4mm]
- * Clarion Bathware reserves the right to change design and/or dimensions.

Model 4272DS

72" [1829mm] Drop-in Bathtub

Clarion
 BATHWARE
 44 Amsler Ave.
 Shippenville, PA 16254

Phone: (814) 226-5374
 Toll Free: (800) 576-9228
 Fax: (814) 226-0730
 www.clarionbathware.com

Signatures For Approval:

Customer: _____
 Arch./Engr: _____
 Contractor: _____
 Cla. Engr: _____

Date:

Dwg. Name:
4272DS-CUT

Dwg. By: DJC
 DATE: 4/10/07