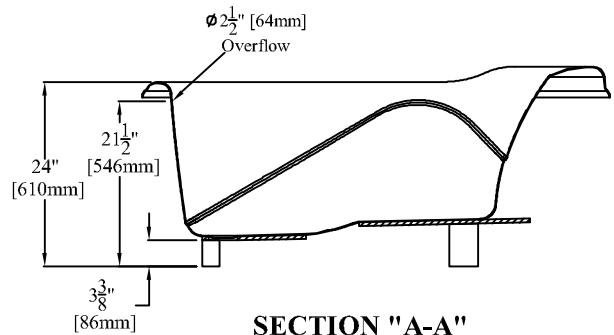
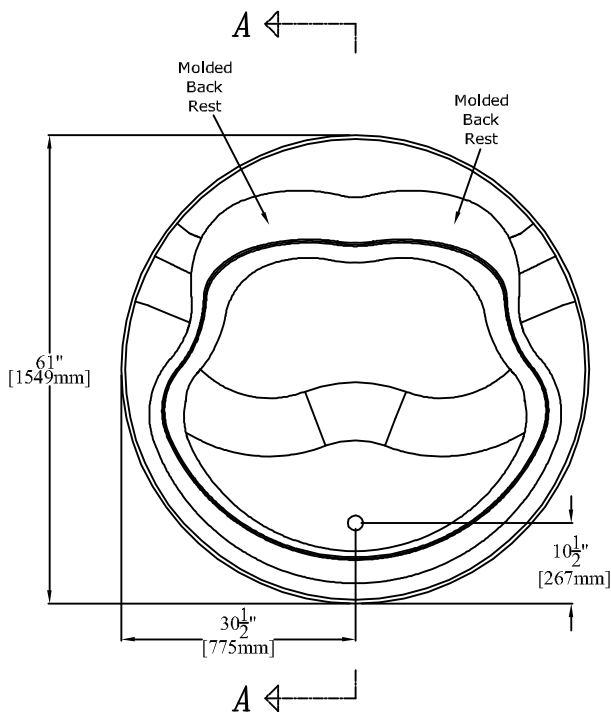


ELEVATION



SECTION "A-A"



PLAN

61" [1549mm] Round Drop-in Bathtub

FRONT CENTER DRAIN

PRODUCT SPECIFICATIONS:

- * Product complies with NAHB, HUD UM-73A, and ANSI-Z124.1.
- * Wood reinforced & slip resistant floor.
- * Sufficient drain clearance to accommodate above the floor plumbing.
- * Spacious bathwell with molded back rests.
- * Integral 2" [51mm] rolled edge for drop-in installation
- * Factory drilled 2 1/2" [64mm] overflow.
- * Bathwell Dimensions (At Top): W-51" [1295mm]
D-41 1/2" [1054mm]
H-21" [533mm]
- * Bathwell Dimensions (At Bottom): W-43 1/2" [1105mm]
D-37 1/4" [946mm]
- * Bathwell Capacity (At Overflow): 90 Gallons [341L]
- * Water Level (At Overflow): 16 1/4" [413mm]
- * This unit is available without an overflow (Model 4160XM).
- * All dimensions +/- 1/4" [6.4mm]
- * Clarion Bathware reserves the right to change design and/or dimensions.

CASCADE

Model 4160X

61" [1549mm] Round Drop-in Bathtub

Clarion
BATHWARE
44 Amsler Ave.
Shippensburg, PA 16254

Phone: (814) 226-5374
Toll Free: (800) 576-9228
Fax: (814) 226-0730
www.clarionbathware.com

Signatures For Approval:

Customer: _____
Arch./Engr: _____
Contractor: _____
Cla. Engr: _____

Date:

Dwg. Name:
4160X-CUT

Dwg. By: DJC
DATE: 4/1/10