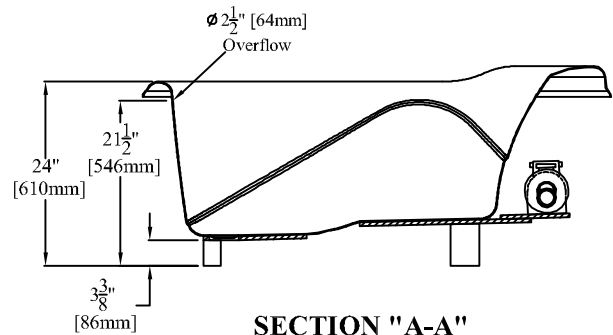
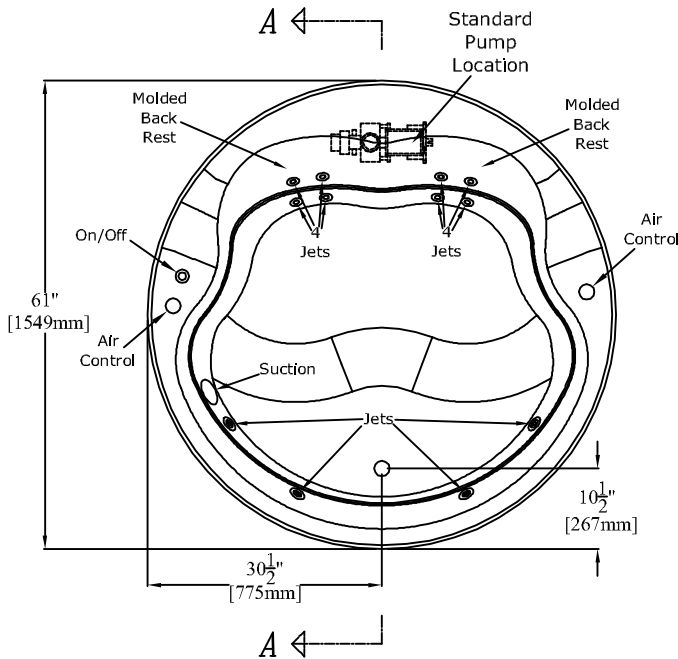


**ELEVATION**



**SECTION "A-A"**

\*\*\* For clarity, \*\*\*  
the whirlpool piping  
has been omitted  
from this drawing



**PLAN**

61" [1549mm] Round Drop-in Bathtub  
With 12 Jet Whirlpool Package

FRONT CENTER DRAIN

# CASCADE

**PRODUCT SPECIFICATIONS:**

- \* Product complies with NAHB, HUD UM-73A, and ANSI-Z124.1.
- \* When installing this whirlpool, an access area should be provided near the location of the whirlpool pump for future access. An access area is required by many local, state & federal building codes.
- \* Recommended access area dimensions: W-20" [508mm]  
H-15" [381mm]
- \* Wood reinforced & slip resistant floor.
- \* Sufficient drain clearance to accommodate above the floor plumbing.
- \* Spacious bathwell with molded back rests.
- \* Integral 2" [51mm] rolled edge for drop-in installation
- \* Factory drilled 2 1/2" [64mm] overflow.
- \* Bathwell Dimensions (At Top): W-51" [1295mm]  
D-41 1/2" [1054mm]  
H-21" [533mm]
- \* Bathwell Dimensions (At Bottom): W-43 1/2" [1105mm]  
D-37 1/4" [946mm]
- \* Bathwell Capacity (At Overflow): 90 Gallons [341L]
- \* Water Level (At Overflow): 16 1/4" [413mm]
- \* This unit is available without an overflow (Model RE4160XM:C).
- \* All dimensions +/- 1/4" [6.4mm]
- \* Clarion Bathware reserves the right to change design and/or dimensions.

**Model RE4160X:C**

**61" [1549mm] Round Drop-in Bathtub With 12 Jet Whirlpool Package**

**Clarion**  
BATHWARE  
44 Amsler Ave.  
Shipperville, PA 16254

Phone: (814) 226-5374  
Toll Free: (800) 576-9228  
Fax: (814) 226-0730  
www.clarionbathware.com

Signatures For Approval:

Customer: \_\_\_\_\_  
Arch./Engr: \_\_\_\_\_  
Contractor: \_\_\_\_\_  
Cla. Engr: \_\_\_\_\_

Date: \_\_\_\_\_

Dwg. Name:  
4160X  
-12JETCUT  
Dwg. By: DJC  
DATE: 4/1/10