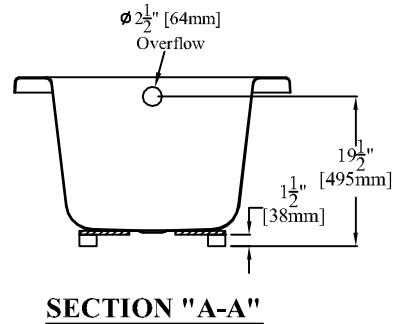
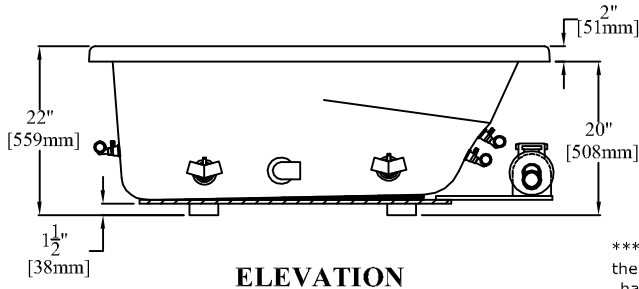
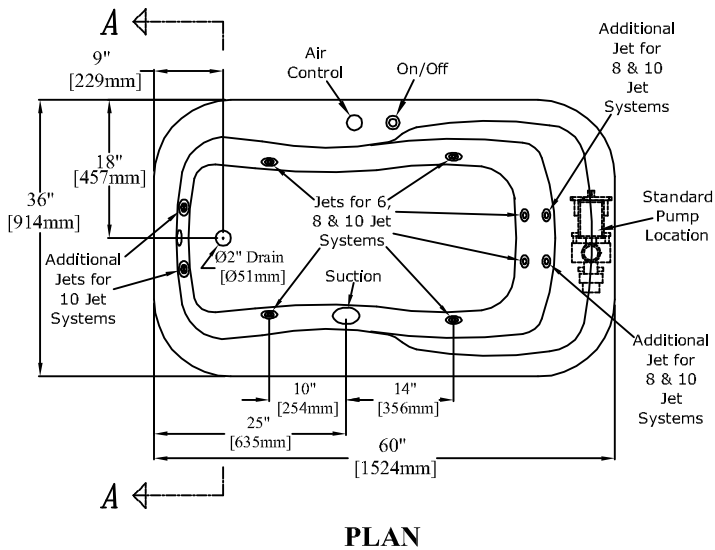


Clarion Bathware



*** For clarity, ***
the whirlpool piping
has been omitted
from this drawing



60" [1524mm] Drop-in Bathtub
With 6, 8 or 10 Jet Whirlpool Package

Crystal

PRODUCT SPECIFICATIONS:

- * Product complies with NAHB, HUD UM-73A, and ANSI-Z124.1.
- * When installing this whirlpool, an access area should be provided near the location of the whirlpool pump for future access. An access area is required by many local, state & federal building codes.
- * Recommended access area dimensions: W-20" [508mm]
H-15" [381mm]
- * Wood reinforced & slip resistant floor.
- * Spacious bathwell with molded arm rests and contoured lumbar support.
- * Factory drilled 2 1/2" [64mm] overflow.
- * Integral 2" [51mm] rolled edge for drop-in installation.
- * Bathwell Dimensions (At Top): W-53 1/2" [1359mm]
D-25 3/4" [654mm]
H-19 1/2" [495mm]
- * Bathwell Dimensions (At Bottom): W-43" [1092mm]
D-22" [556mm]
- * Bathwell Capacity (At Overflow): 75 Gallons [284L]
- * Water Level (At Overflow): 16" [406mm]
- * This unit is available without an overflow (Model RE3660DM:6, RE3660DM:8 or RE3660DM:A).
- * The pump will stick out 1/2" from the end of the bathtub on 8 and 10 jet versions of this product.
- * All dimensions +/- 1/4" [6.4mm]
- * Clarion Bathware reserves the right to change design and/or dimensions.
- * Dimensions are the same for RE, RS, MP, CU, and all other versions of this model.

RE3660D:6, RE3660D:8 or RE3660D:A

60" Drop-in Bathtub with a 6, 8 or 10 Jet Whirlpool Package

Clarion
BATHWARE
44 Amsler Ave.
Shippenville, PA 16254

Phone: (814) 226-5374
Toll Free: (800) 576-9228
Fax: (814) 226-0730
www.clarionbathware.com

Signatures For Approval:

Customer: _____
Arch./Engr: _____
Contractor: _____
Cla. Engr: _____

Date:

Dwg. Name:
RE3660D
-68&10JETCUT
Dwg. By: DJC
DATE: 6/6/08