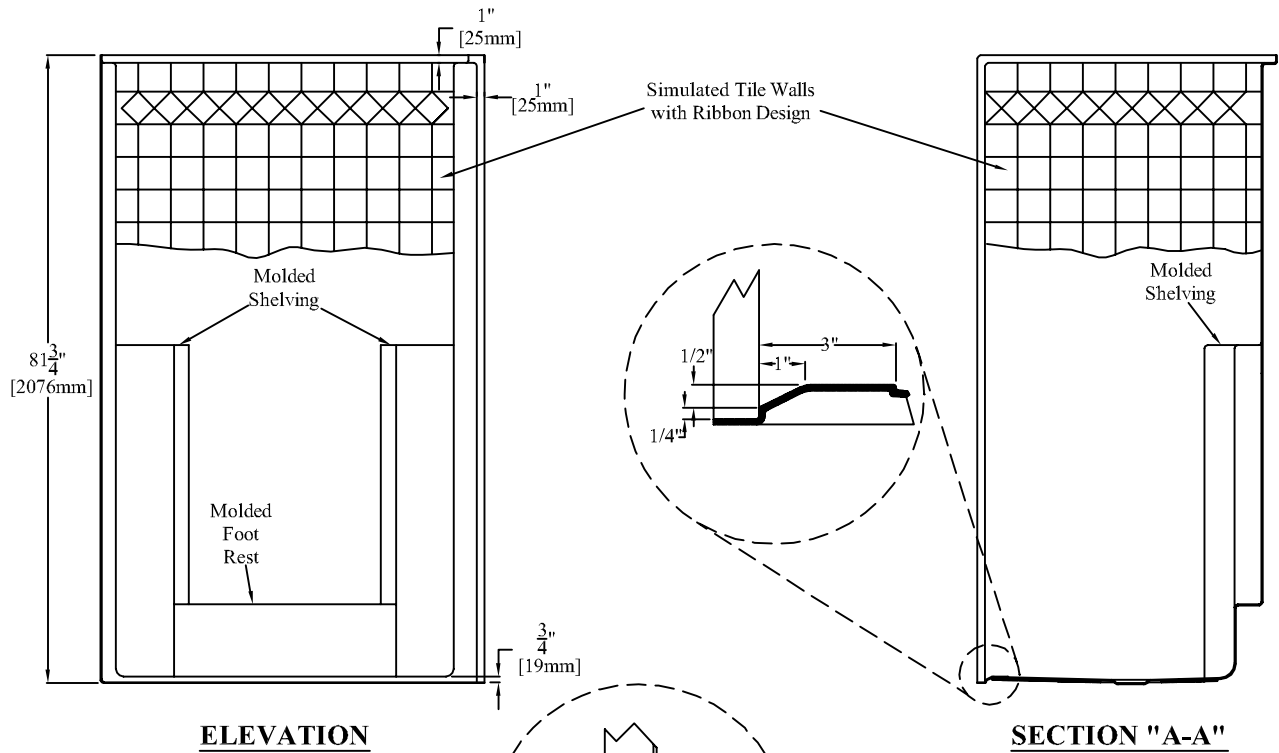
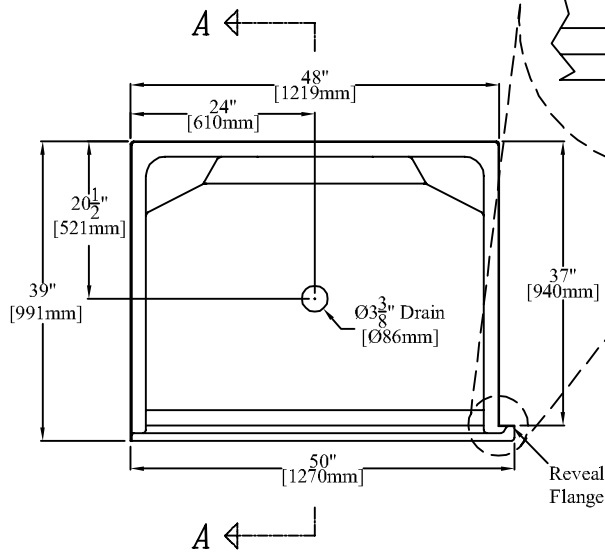


Clarion Bathware



ELEVATION

SECTION "A-A"



PLAN

48" [1219mm] 1-Piece Tiled Shower Stall
with 3/4" Threshold & Reveal Flange

Available with Left or Right Reveal Flange
Right Side Reveal Flange (8852BF34) Shown

PRODUCT SPECIFICATIONS:

- * Special installation instructions for this shower must be followed carefully.
- * Product complies with NAHB, HUD UM-73A, and ANSI-Z124.2.
- * Reinforced & slip resistant floor.
- * Integral 1" [25mm] nailing flange.
- * Integral 1" [25mm] floor nailing flange.
- * Integral reveal flange available on the left (Model #8851BF34) or right (Model #8852BF34) hand side.
- * Simulated tile walls with ribbon design.
- * Molded shelving and foot rest.
- * All dimensions +/- 1/4" [6.4mm]
- * Clarion Bathware reserves the right to change design and/or dimensions.
- * Dimensions are the same for RE, RS, MP, CU and all other versions of this model.

Model 8851BF34 or 8852BF34

Available with Reveal Flange on the Left or Right Side - Right Hand Vesion 8852BF34 shown

Clarion
BATHWARE
44 Amsler Ave.
Shippenville, PA 16254

Phone: (814) 226-5374
Toll Free: (800) 576-9228
Fax: (814) 226-0730
www.clarionbathware.com

Signatures For Approval:

Customer: _____
Arch./Engr: _____
Contractor: _____
Cla. Engr: _____

Date:

Dwg. Name:
8851BF34or
8852BF34-CUT
Dwg. By: DJC
DATE: 3/11/08