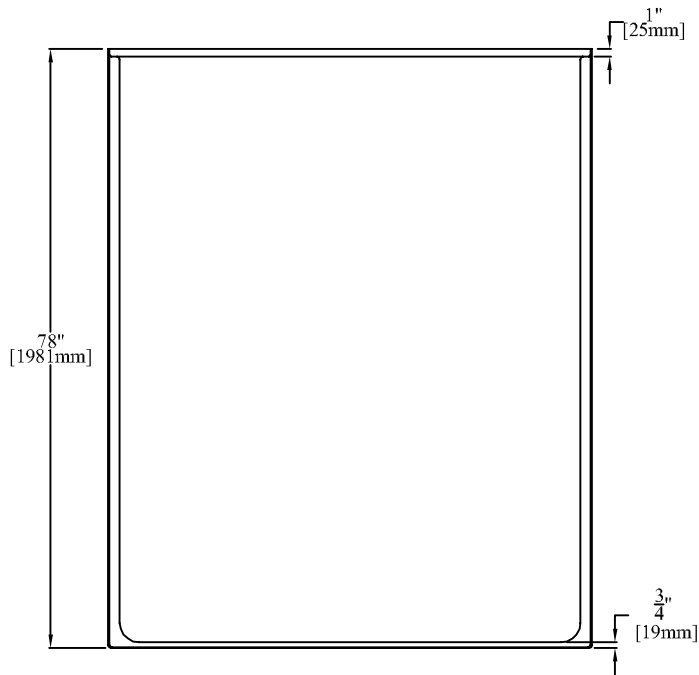
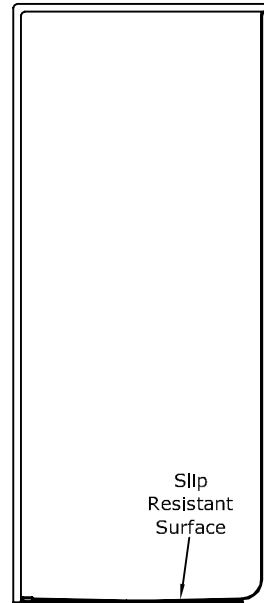


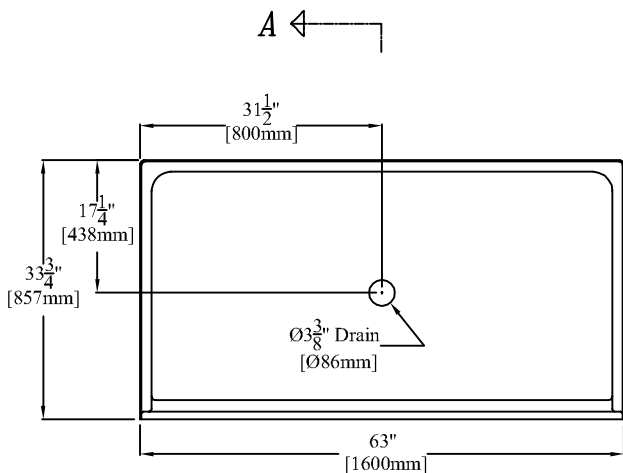
# Clarion Bathware



**ELEVATION**



**SECTION "A-A"**



**PLAN**

*63" [1600mm] Barrier-free Shower  
With 3/4" [19mm] Threshold*

*CENTER DRAIN*

**PRODUCT SPECIFICATIONS:**

- \* Special installation instructions for this unit must be followed carefully.
- \* Product complies with NAHB, HUD UM-73A, and ANSI-Z124.2.
- \* When properly accessorized and installed, product will meet requirements of ADAAG and ANSI A117.1.
- \* Wood reinforced & slip resistant floor.
- \* Integral 1" [25mm] nailing flange.
- \* Integral 1" [25mm] floor nailing flange.
- \* Shower Floor: W-60" [1524mm]  
D-31 1/4" [794mm]
- \* Door Opening: W-60" [1524mm]  
H-75 3/4" [1924mm]
- \* All dimensions +/- 1/4" [6.4mm]
- \* Clarion Bathware reserves the right to change design and/or dimensions.
- \* Dimensions are the same for RE, RS, MP, CU and all other versions of this model.

**Model 6333BF34**

**63" [1600mm] Barrier-free Shower with 3/4" [19mm] Threshold**

**Clarion**  
BATHWARE  
44 Amsler Ave.  
Shippenville, PA 16254

Phone: (814) 226-5374  
Toll Free: (800) 576-9228  
Fax: (814) 226-0730  
www.clarionbathware.com

Signatures For Approval:

Customer: \_\_\_\_\_  
Arch./Engr: \_\_\_\_\_  
Contractor: \_\_\_\_\_  
Cla. Engr: \_\_\_\_\_

Date:

\_\_\_\_\_  
\_\_\_\_\_  
\_\_\_\_\_  
\_\_\_\_\_

Dwg. Name:  
6333BF34-CUT

Dwg. By: DJC  
DATE: 10/16/07