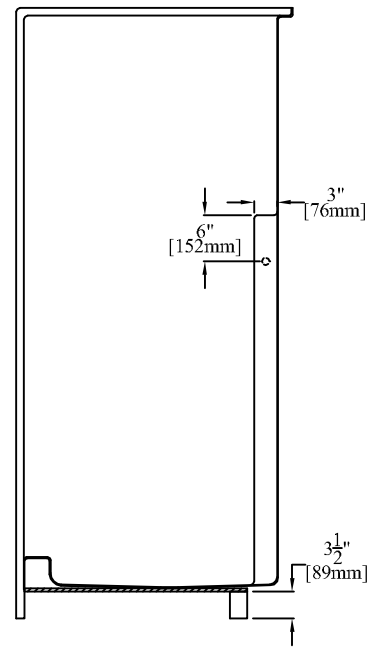
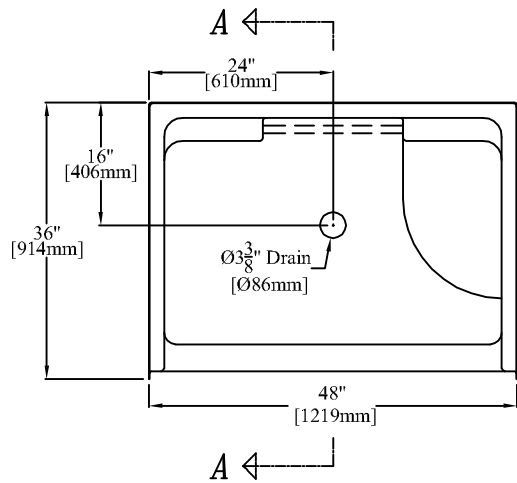


ELEVATION



SECTION "A-A"



PLAN

*48" [1219mm] 1-Piece Shower With
8" [203mm] Threshold, Molded Seat
& Left or Right Hand Valve Wall*

Left Hand Version (5843LXT/S) Shown

PRODUCT SPECIFICATIONS:

- * Product complies with NAHB, HUD UM-73A, and ANSI-Z124.2.
- * Reinforced & slip resistant floor.
- * Integral 1" [25mm] nailing flange.
- * 1" [25mm] acrylic towel bar (not included on the MP version of this product. Model number becomes MP5843LX/S or MP5843RX/S)
- * Molded soap ledges.
- * Molded seat located opposite valve wall.
- * Door Opening: W-43 7/8" [1114mm]
H-70" [1778mm]
- * Accepts Clarion Bathware Model RE948 cap (adds 8 1/2" [216mm] to the overall height of the unit)
- * All dimensions +/- 1/4" [6.4mm]
- * Clarion Bathware reserves the right to change design and/or dimensions.
- * Dimensions are the same for RE, MP, CU and all other versions of this model.

Model 5843LXT/S or 5843RXT/S

48" [1219mm] 1-Piece Shower with 8" [203mm] Threshold, Molded Soap Ledges, Molded Seat & Left or Right Hand Valve Wall

Clarion
BATHWARE
44 Amsler Ave.
Shipperville, PA 16254

Phone: (814) 226-5374
Toll Free: (800) 576-9228
Fax: (814) 226-0730
www.clarionbathware.com

Signatures For Approval:

Customer: _____
Arch./Engr: _____
Contractor: _____
Cla. Engr: _____

Date:

Dwg. Name:
5843LXTSor
5843RXTS-CUT

Dwg. By: DJC
DATE: 4/1/10